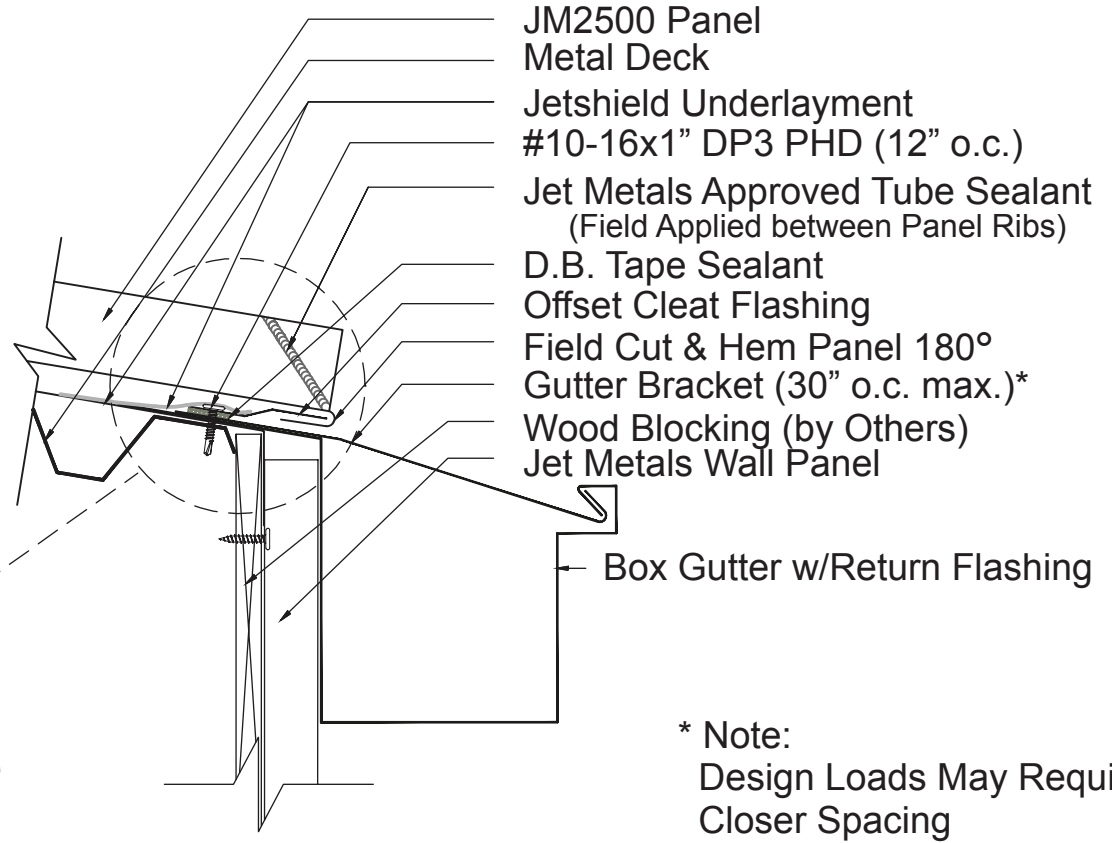
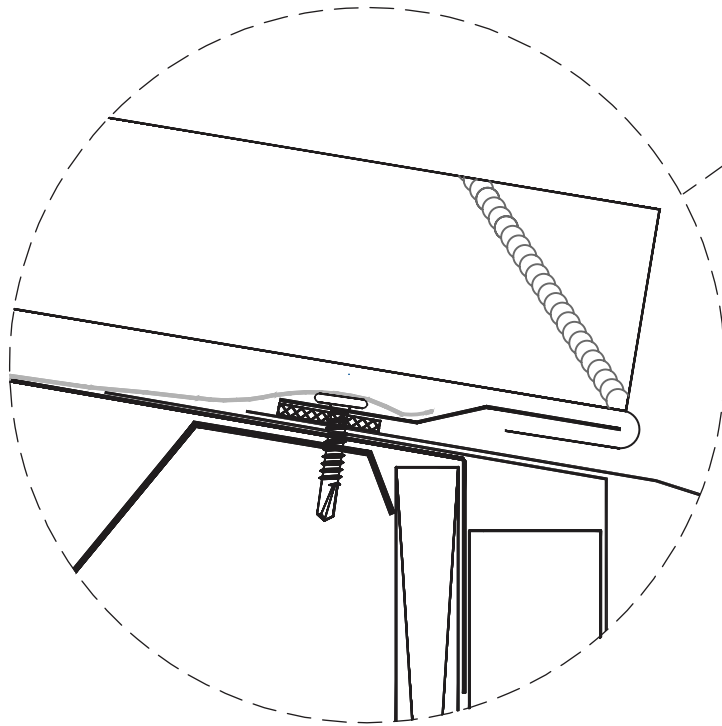




Zoomed in View



* Note:
Design Loads May Require
Closer Spacing

Metal Deck

JET METALS, LLC.

DRAWING NAME:

**JM2500 BOX GUTTER
w/Return - w/Flush Panel**

SHEET:
1 of 1

A

DRAWING NUMBER:

REV:
0

DATE:
08/31/2015

DRAWN BY:
Off Balance Digital Art

PAINT: