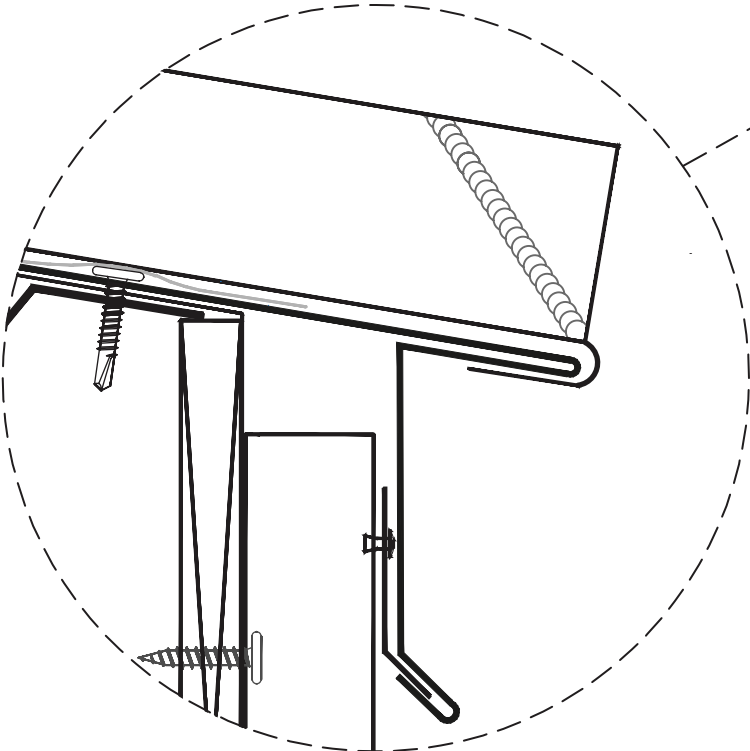


- JM2500 Panel
- #10-16 x1" PHD (12" o.c.)
- Jetshield Underlayment
- Jet Metals Approved Tube Sealant
(Field Applied between Panel Ribs)
- Jetshield Underlayment
- Metal Deck
- Field Cut & Hem Panel 180°
- Drip Edge Flashing
- 1/8"- #43 Pop Rivet (6" o.c.)
- Cleat Flashing
- Jet Metals Wall Panel

Zoomed in View



Metal Deck

JET METALS, LLC.

DRAWING NAME:			
JM2500 Drip Edge w/Flush Panel			
SHEET: 1 of 1	A	DRAWING NUMBER:	REV: 0
DATE: 08/31/2015	DRAWN BY: Off Balance Digital Art	PAINT:	