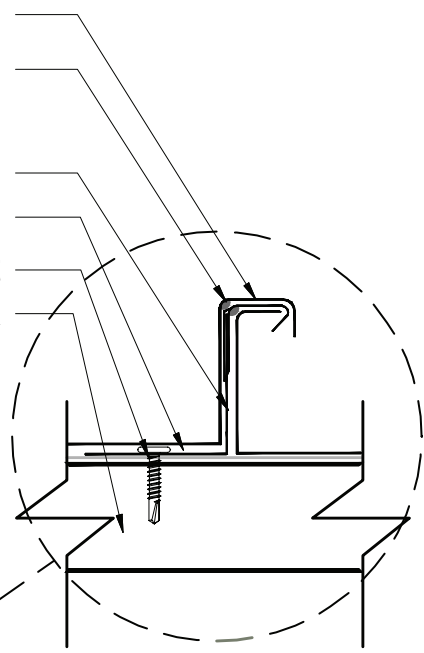




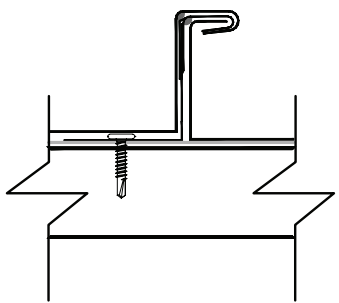
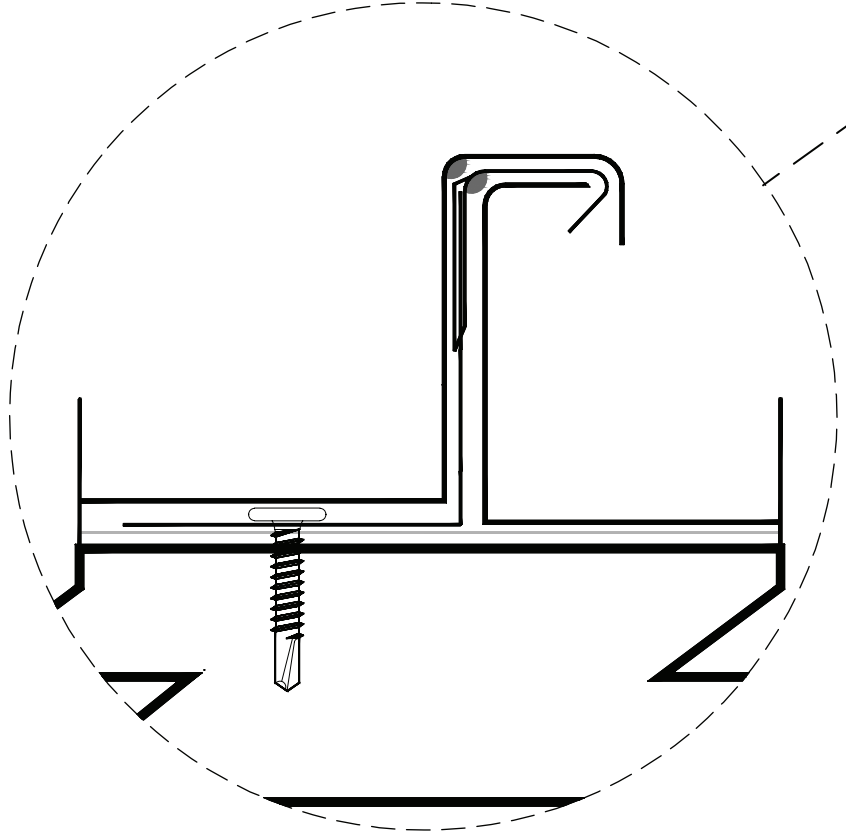
JM2500 Panel
 Jet Metals Approved Sealant (Optional)
 (Field or Machine Applied Sealant)

Jet Metals Butterfly Clip
 #10-16 x 1" DP3 PHD
 Jetshield Underlayment
 Metal Deck

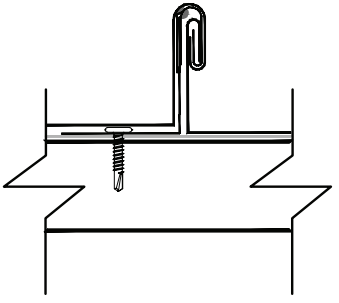


Cross Section
 Before Seaming

Zoomed in View



Cross Section
 90° Seaming



Cross Section
 180° Seaming

Metal Deck

JET METALS, LLC.			
DRAWING NAME:			
JM2500 Installation Detail			
SHEET: 1 of 1	A	DRAWING NUMBER:	REV: 0
DATE: 06/01/2015	DRAWN BY: Off Balance Digital Art	PAINT:	