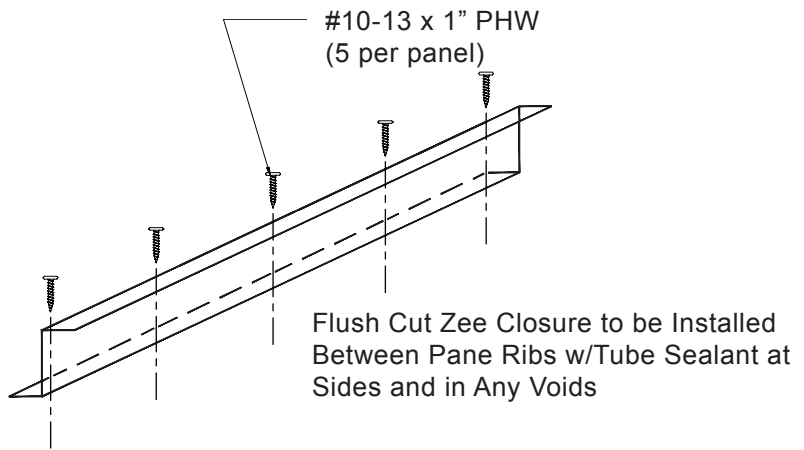
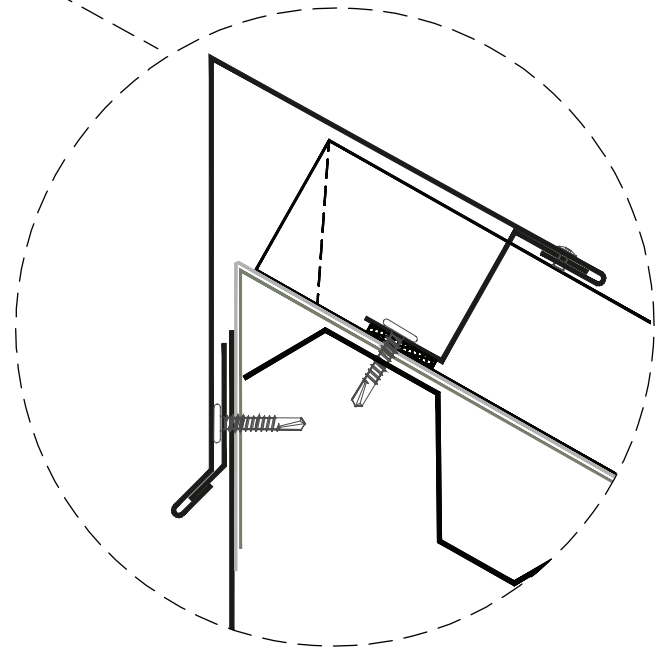


- Peak Flashing
- Box End of Panel
(See Zee Closure Options Detail)
- #10-16 x 1" DP3 PHD (5 per panel)
- Jet Metals Approved Tube Sealant
- 1/8" - #43 Pop Rivet (18" o.c.)
- Z-Closure Flashing
- D.B. Tape Sealant
- Jetshield Underlayment
- Peak Plate
- JM2500 Panel
- Cleat Flashing
- Facsia Flashing



Metal Deck

Zoomed in View



JET METALS, LLC.

DRAWING NAME:			
JM2500 Peak			
REV: 0	DRAWING NUMBER:	A	SHEET: 1 of 1
DATE: 08/31/2015	DRAWN BY: Off Balance Digital Art	PAINT:	