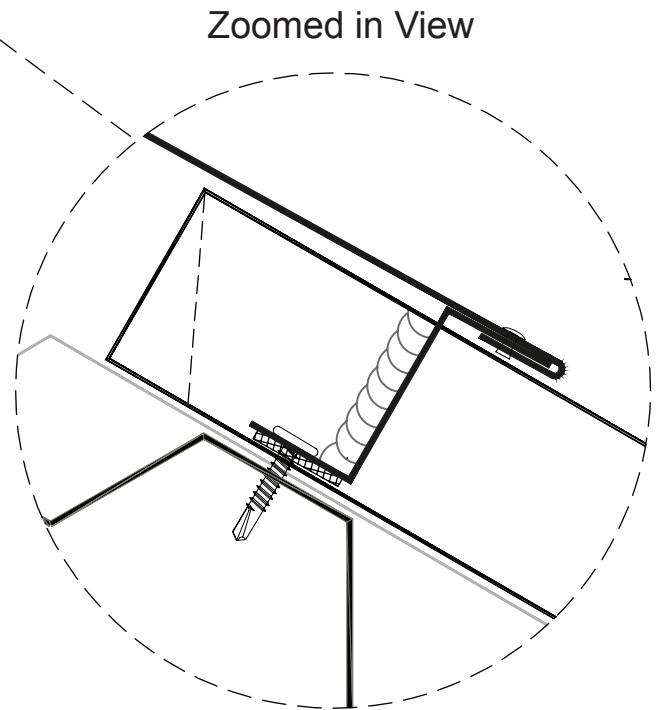
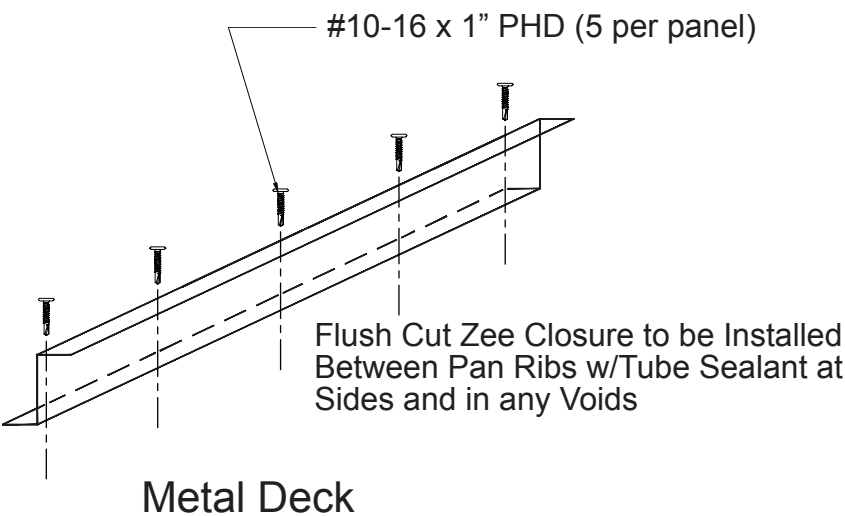


- JM2500 Panel
- 1/8" - #43 Pop Rivet (18" o.c.)
- Z-Closure Flashing
- Ridge /Hip Flashing
- Jet Metals Approved Tube Sealant
- Box End of Panel  
(See Zee Closure Options Detail)
- #10-16 x 1" PHD (5 per panel)
- D.B. Tape Sealant
- Jetshield Underlayment
- Metal Deck



<b>JET METALS, LLC.</b>			
DRAWING NAME: <b>JM2500 Ridge / Hip</b>			
REV: 0	DRAWING NUMBER:	<b>A</b>	SHEET: 1 of 1
DATE: 06/01/2015	DRAWN BY: Off Balance Digital Art	PAINT:	