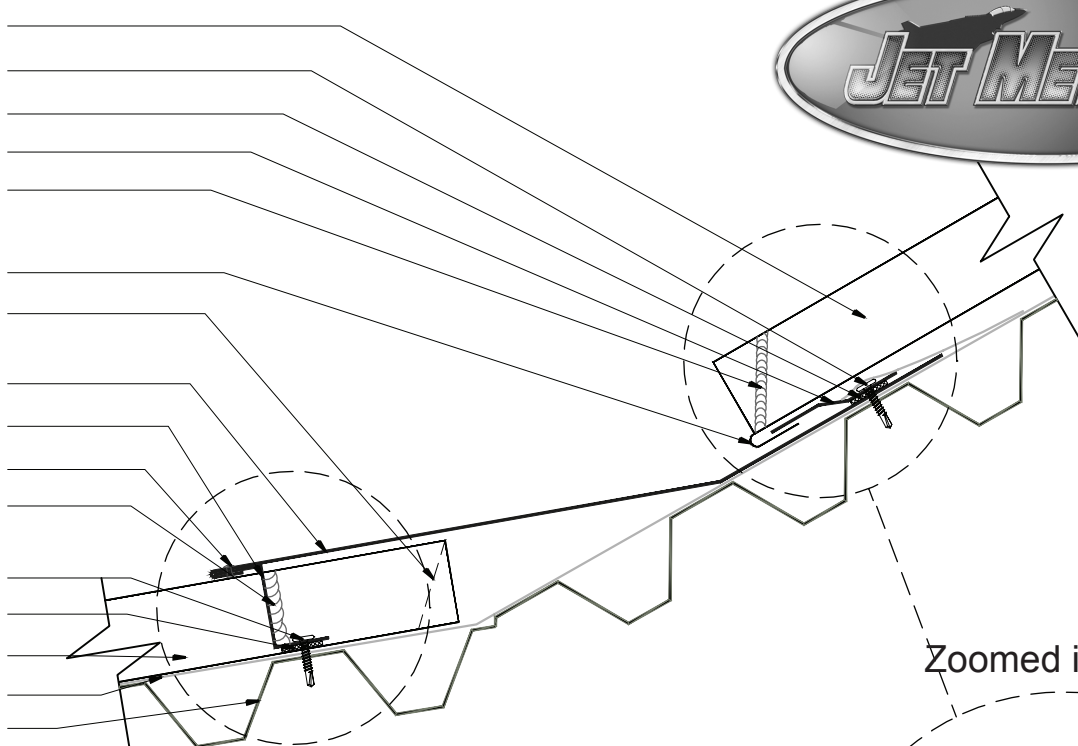
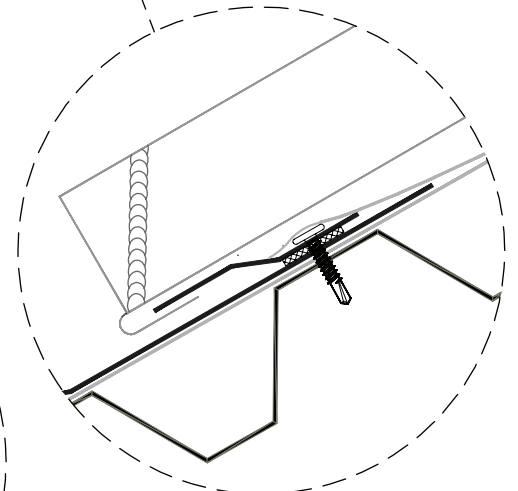




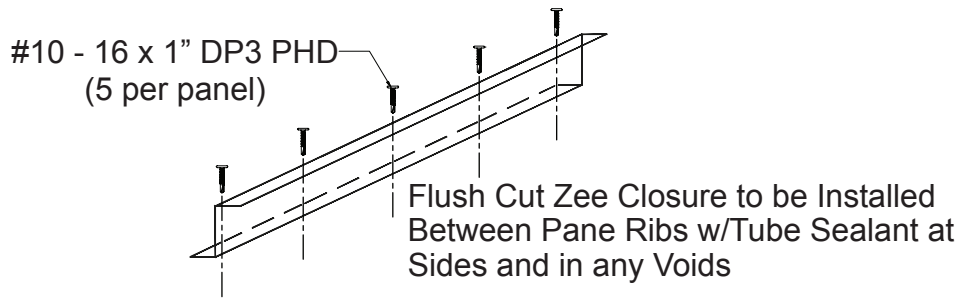
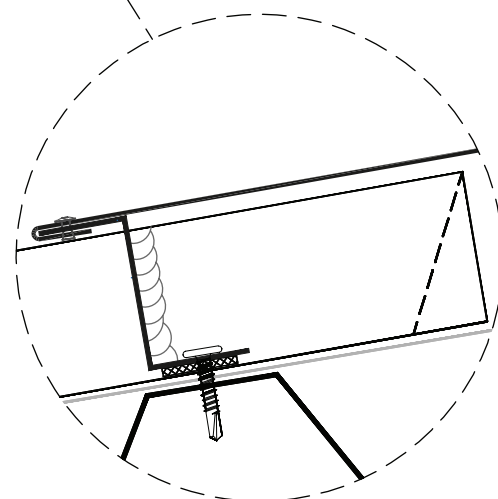
- JM2500 Panel
- #10-16 x 1" DP3 PHD (12" o.c.)
- D.B. Tape Sealant
- Offset Cleat Flashing
- Jet Metals Approved Tube Sealant
(Field Applied between Panel Ribs)
- Field Cut & Hem Panel 180°
- Box End of Panel
(See Zee Closure Options Detail)
- Transition Flashing
- Z-Closure
- 1/8" - #43 Pop Rivet (18" o.c.)
- Jet Metals Approved Tube Sealant
(Field Applied between Panel Ribs)
- #10-16 x 1" DP3 PHD (5 per panel)
- D.B. Tape Sealant
- JM2500 Panel
- Jetshield Underlayment
- Metal Deck



Zoomed in View



Zoomed in View



Metal Deck

JET METALS, LLC.

DRAWING NAME:

JM2500 Transition

REV: 0	DRAWING NUMBER:	A	SHEET: 1 of 1
DATE: 08/31/2015	DRAWN BY: Off Balance Digital Art	PAINT:	