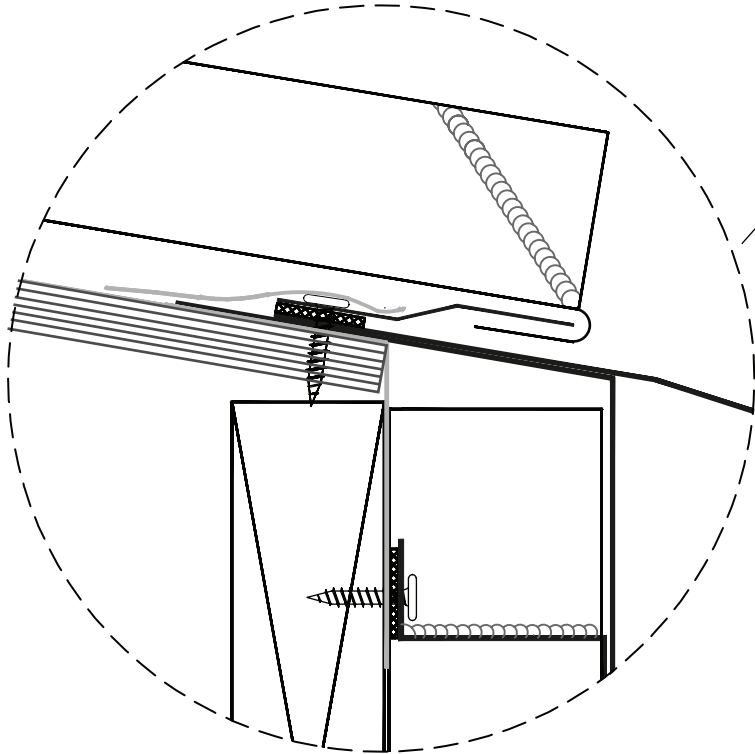
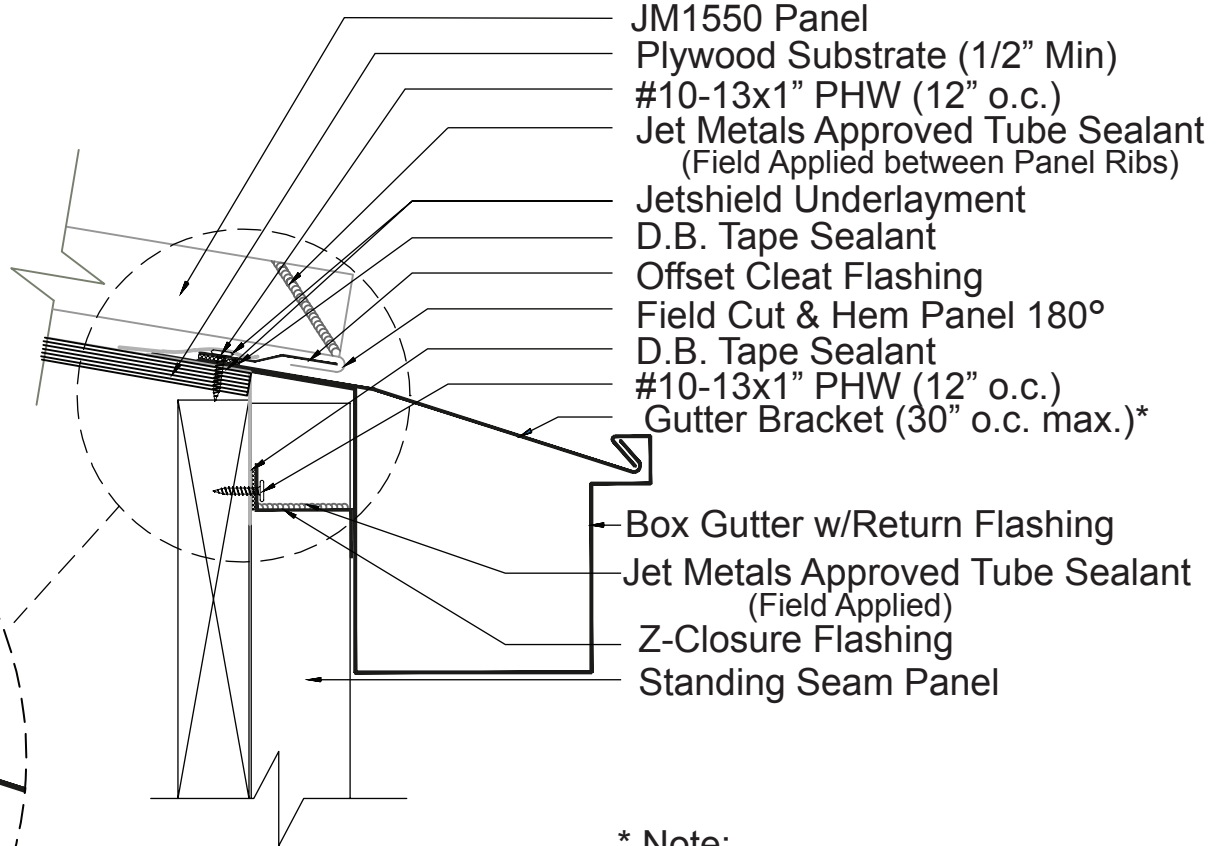




Zoomed in View



Plywood Substrate



- JM1550 Panel
- Plywood Substrate (1/2" Min)
- #10-13x1" PHW (12" o.c.)
- Jet Metals Approved Tube Sealant  
(Field Applied between Panel Ribs)
- Jetshield Underlayment
- D.B. Tape Sealant
- Offset Cleat Flashing
- Field Cut & Hem Panel 180°
- D.B. Tape Sealant
- #10-13x1" PHW (12" o.c.)
- Gutter Bracket (30" o.c. max.)\*
- Box Gutter w/Return Flashing
- Jet Metals Approved Tube Sealant  
(Field Applied)
- Z-Closure Flashing
- Standing Seam Panel

\* Note:  
Design Loads May Require  
Closer Spacing

**JET METALS, LLC.**

DRAWING NAME:

**JM1550 BOX GUTTER  
w/Return - w/Standing Seam Panel**

REV: 0	DRAWING NUMBER:	<b>A</b>	SHEET: 1 of 1
DATE: 06/01/2015	DRAWN BY: Off Balance Digital Art	PAINT:	