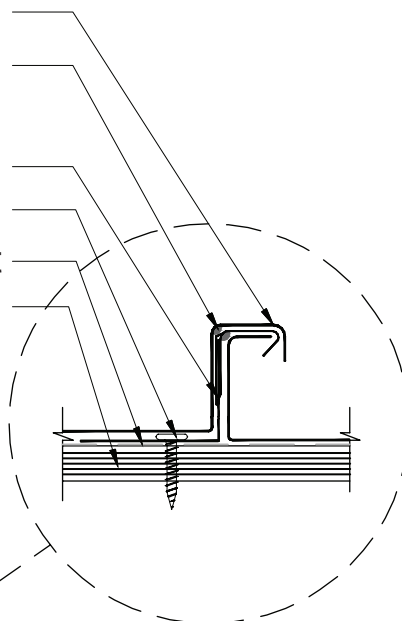
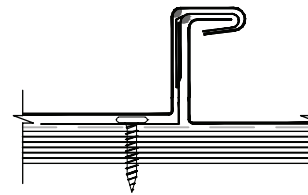




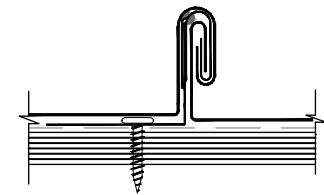
- JM1550 Panel
- Jet Metals Approved Sealant
(Field Applied Tube Sealant)
- Jet Metals Butterfly Clip
- #10-13x1" PHW (2 per clip)
- Jetshield Underlayment
- Plywood Substrate (1/2" min.)



Cross Section
Before Seaming

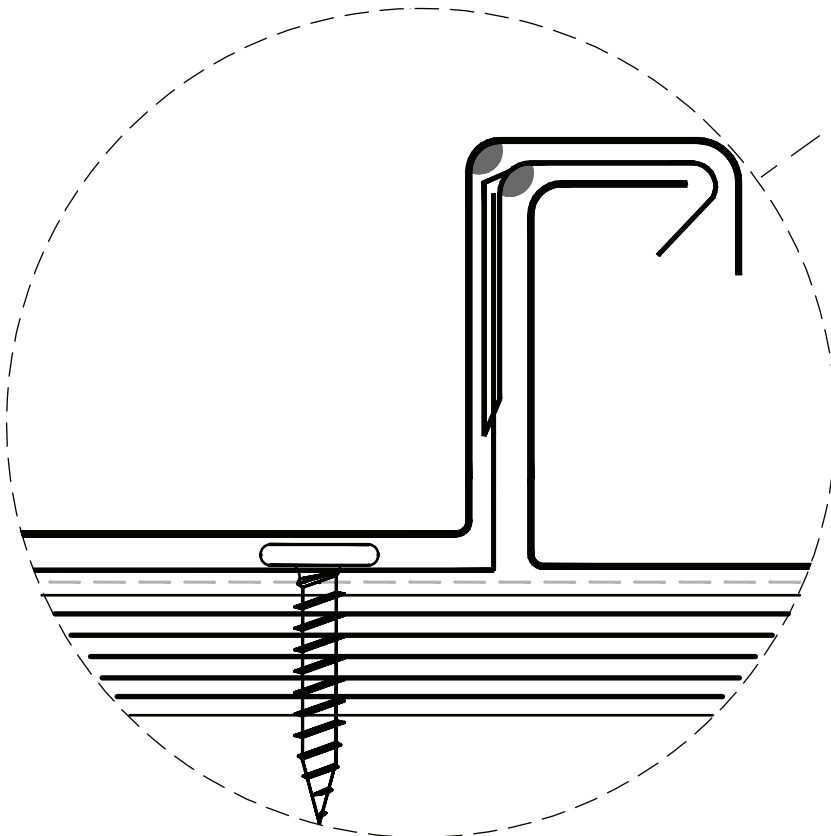


Cross Section
90° Seaming



Cross Section
180° Seaming

Zoomed in View



Plywood Substrate

JET METALS, LLC.

DRAWING NAME:
JM1550 PANEL INSTALLATION

SHEET: 1 of 1	A	DRAWING NUMBER:	REV: 0
PAINT:	DRAWN BY: Off Balance Digital Art	DATE: 06/01/2015	