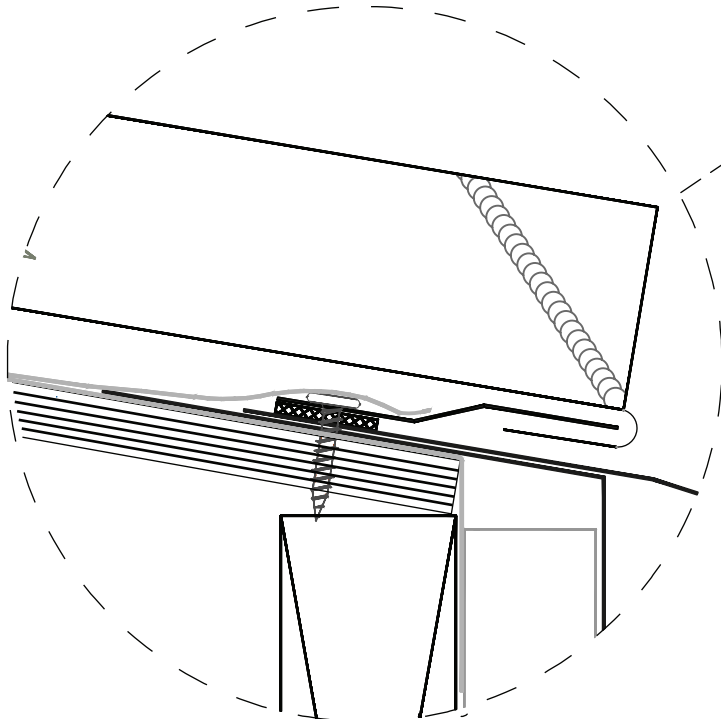
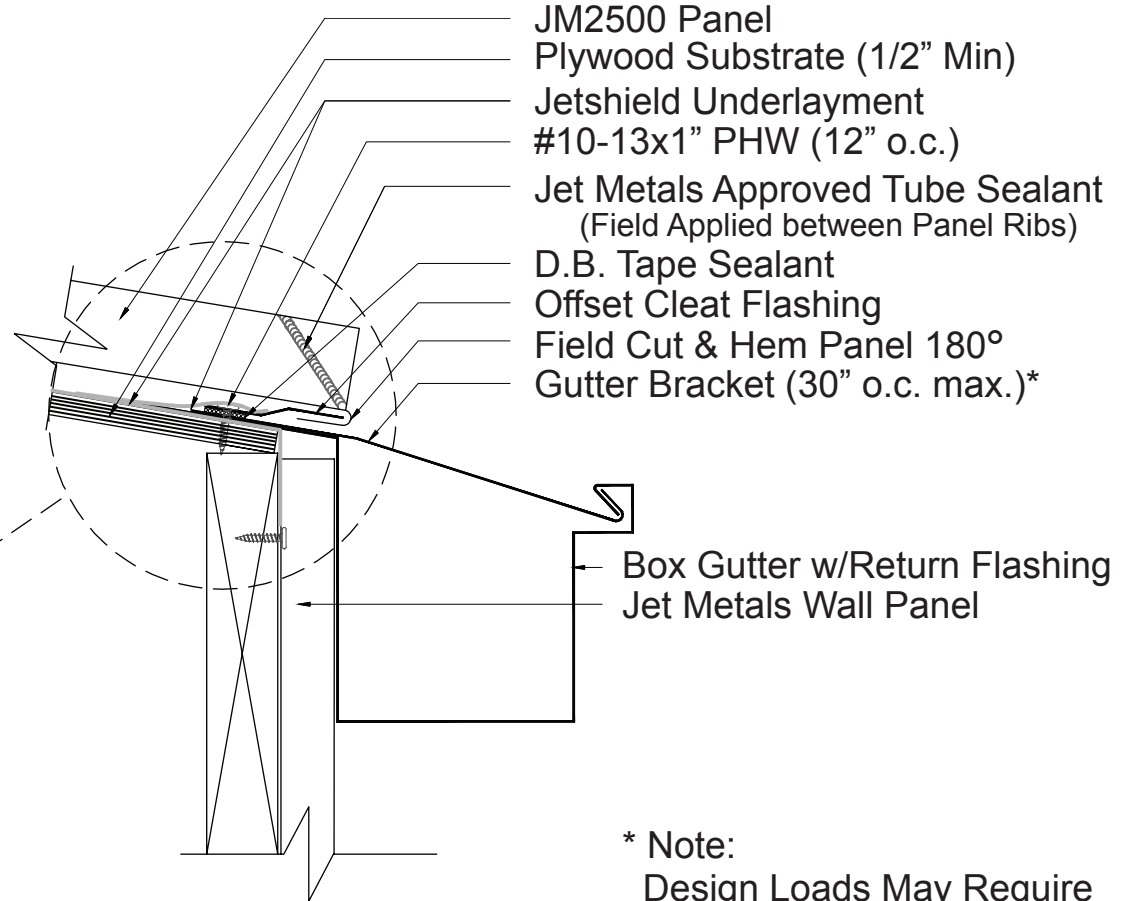




Zoomed in View



Plywood Substrate



- JM2500 Panel
- Plywood Substrate (1/2" Min)
- Jetshield Underlayment
- #10-13x1" PHW (12" o.c.)
- Jet Metals Approved Tube Sealant  
(Field Applied between Panel Ribs)
- D.B. Tape Sealant
- Offset Cleat Flashing
- Field Cut & Hem Panel 180°
- Gutter Bracket (30" o.c. max.)\*

- Box Gutter w/Return Flashing
- Jet Metals Wall Panel

\* Note:  
Design Loads May Require  
Closer Spacing

**JET METALS, LLC.**

DRAWING NAME:			
<b>JM2500 BOX GUTTER w/Return - w/Flush Panel</b>			
REV: 0	DRAWING NUMBER:	<b>A</b>	SHEET: 1 of 1
DATE: 06/01/2015	DRAWN BY: Off Balance Digital Art	PAINT:	