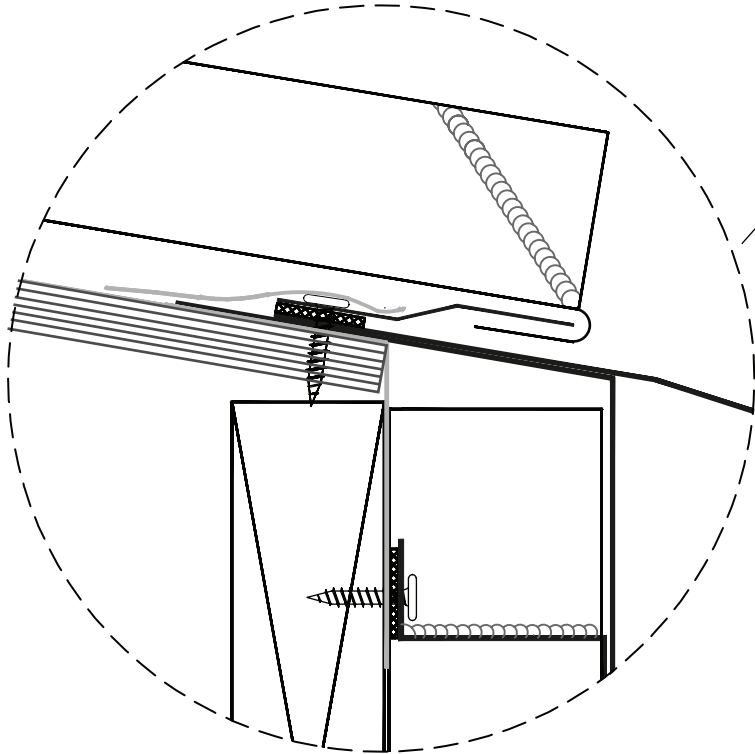
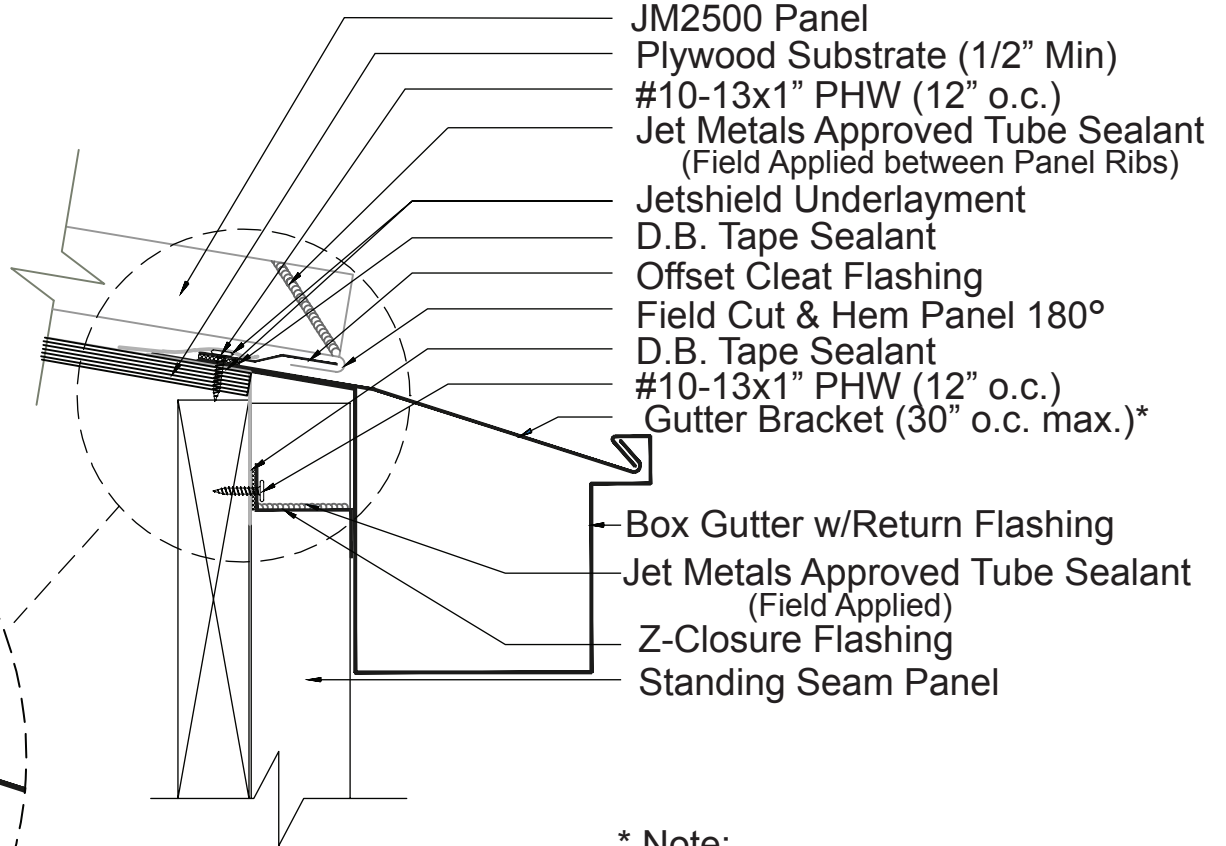




Zoomed in View



Plywood Substrate



- JM2500 Panel
- Plywood Substrate (1/2" Min)
- #10-13x1" PHW (12" o.c.)
- Jet Metals Approved Tube Sealant
(Field Applied between Panel Ribs)
- Jetshield Underlayment
- D.B. Tape Sealant
- Offset Cleat Flashing
- Field Cut & Hem Panel 180°
- D.B. Tape Sealant
- #10-13x1" PHW (12" o.c.)
- Gutter Bracket (30" o.c. max.)*
- Box Gutter w/Return Flashing
- Jet Metals Approved Tube Sealant
(Field Applied)
- Z-Closure Flashing
- Standing Seam Panel

* Note:
Design Loads May Require
Closer Spacing

JET METALS, LLC.

DRAWING NAME:
**JM2500 BOX GUTTER
w/Return - w/Standing Seam Panel**

| | | | |
|---------------------|--------------------------------------|----------|------------------|
| REV: 0 | DRAWING NUMBER: | A | SHEET: 1 of 1 |
| DATE: 06/01/2015 | DRAWN BY: Off Balance Digital Art | PAINT: | |