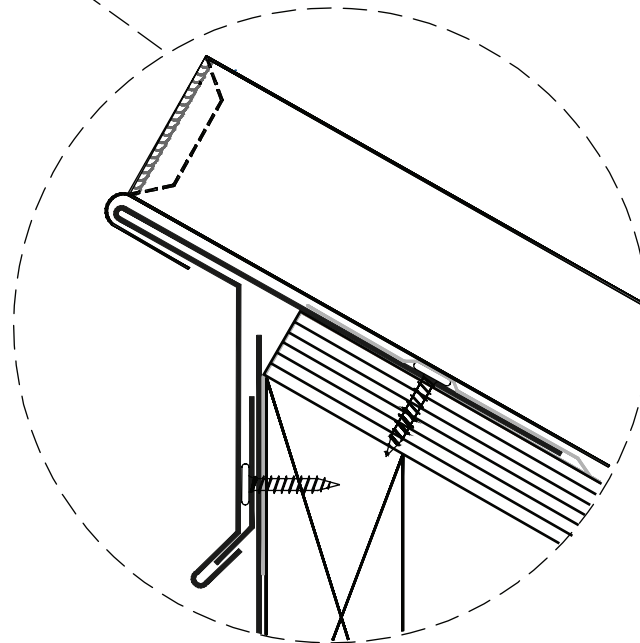


- Field Cut & Fold Over Rib
- Jet Metals Approved Tube Sealant
(Field Applied between Panel Ribs)
- Field Cut & Hem Panel 180°
- Drip Edge Flashing
- JM2500 Panel
- #10-13x1" PHW (6" o.c.)
- Jetshield Underlayment
- Plywood Substrate (1/2" Min)
- UL Clip
- #10-13x1" PHW (6" o.c.)
- Cleat Flashing
- Fascia Flashing

Zoomed in View



Plywood Substrate

JET METALS, LLC.

DRAWING NAME:

JM2500 Drip Edge Peak

REV: 0	DRAWING NUMBER:	A	SHEET: 1 of 1
DATE: 06/01/2015	DRAWN BY: Off Balance Digital Art	PAINT:	