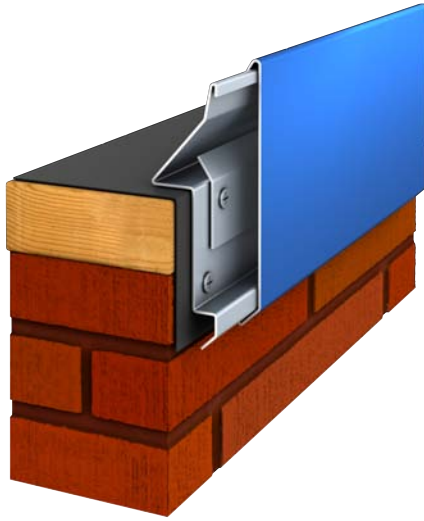


## Jet Metals Snap Gravel Stop HD System



### Overview

The Jet Metals Snap Gravel Stop HD System is a two-part assembly that includes a continuous cleat and a decorative fascia cover for single-ply commercial roof systems. Our Snap Gravel Stop HD is available in pre-painted Kynar500® .040" formed aluminum as 24 gauge Galvalume steel. This product features a 22 gauge pre-punched cleats with fasteners spaced at 12" on center. All products come in standard 10' standard cleat and coping cover lengths. Concealed splice plates and fasteners are included with the purchase of this product.

### Features and Benefits

- Secures roof Membrane to Parapet Wall
- Allows for the use of high-torque screws without penetrating the top surface of the Membrane
- Pre-Punched Continuous Cleat
- ANSI-SPRI ES-1 Certified
- 210 MPH LIFETIME Wind Warranty
- Gold Standard Paint Warranty
- Corporate and Custom Colors are available



### Installation

For complete installation instructions, please refer to Jet Metals Architectural specifications and details.

REVIEW CURRENT JET METALS ARCHITECTURAL SPECIFICATION AND DETAILS FOR SPECIFIC INSTALLATION REQUIREMENTS.

### Quality Assurance

Jet Metals Snap Gravel Stop HD System system is tested per ANSI/SPRI Test Method RE-2 for fascia. The Snap Gravel Stop HD System shall be certified by Jet Metals to design pressures as indicated in current edition of SPRI's Wind Resistance Standard for Edge Systems used with Low Slope Roofing System. This products meets International Building Code minimum requirement.

### Technical Services

Engineering and shop drawings, as well as long-form specifications and CAD details, are available from Jet Metals. Product samples, detail sheets, color chips and color charts are also available for submittal packages. For personal assistance with questions or for full submittals, contact Jet Metals or your local independent sales representative.

### Specifications

Material	Face	Sustained Pressures
24 gauge	up to 6"	-200 psf (*)
0.040 AL	up to 6"	-210 psf (*)

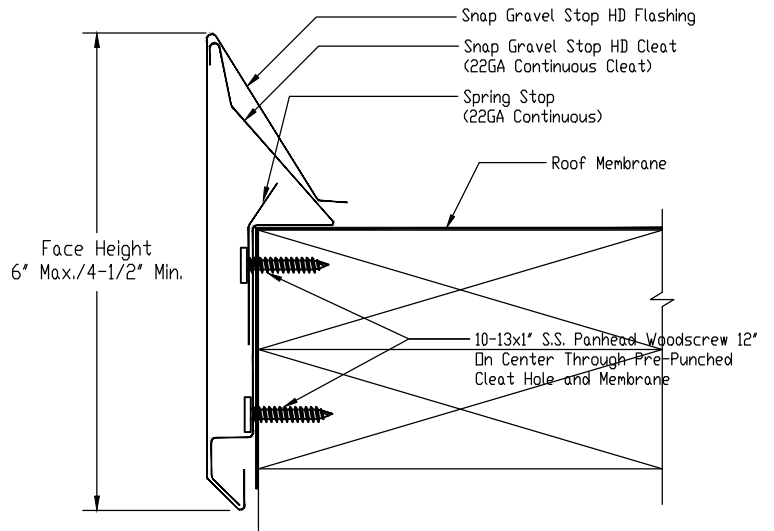
\* Design Engineer must apply the Factor of Safety

\*\*ADDITIONAL GAUGES - .050 and .063 aluminum and 22 gauge Galvalume are available upon request

677 Celriver Road, Rock Hill, SC 29730  
 Phone: 866.696.1475  
 Fax: 803.325.8705  
 web: [jetmetals.com](http://jetmetals.com)  
 email: [eburns@jetmetals.com](mailto:eburns@jetmetals.com)

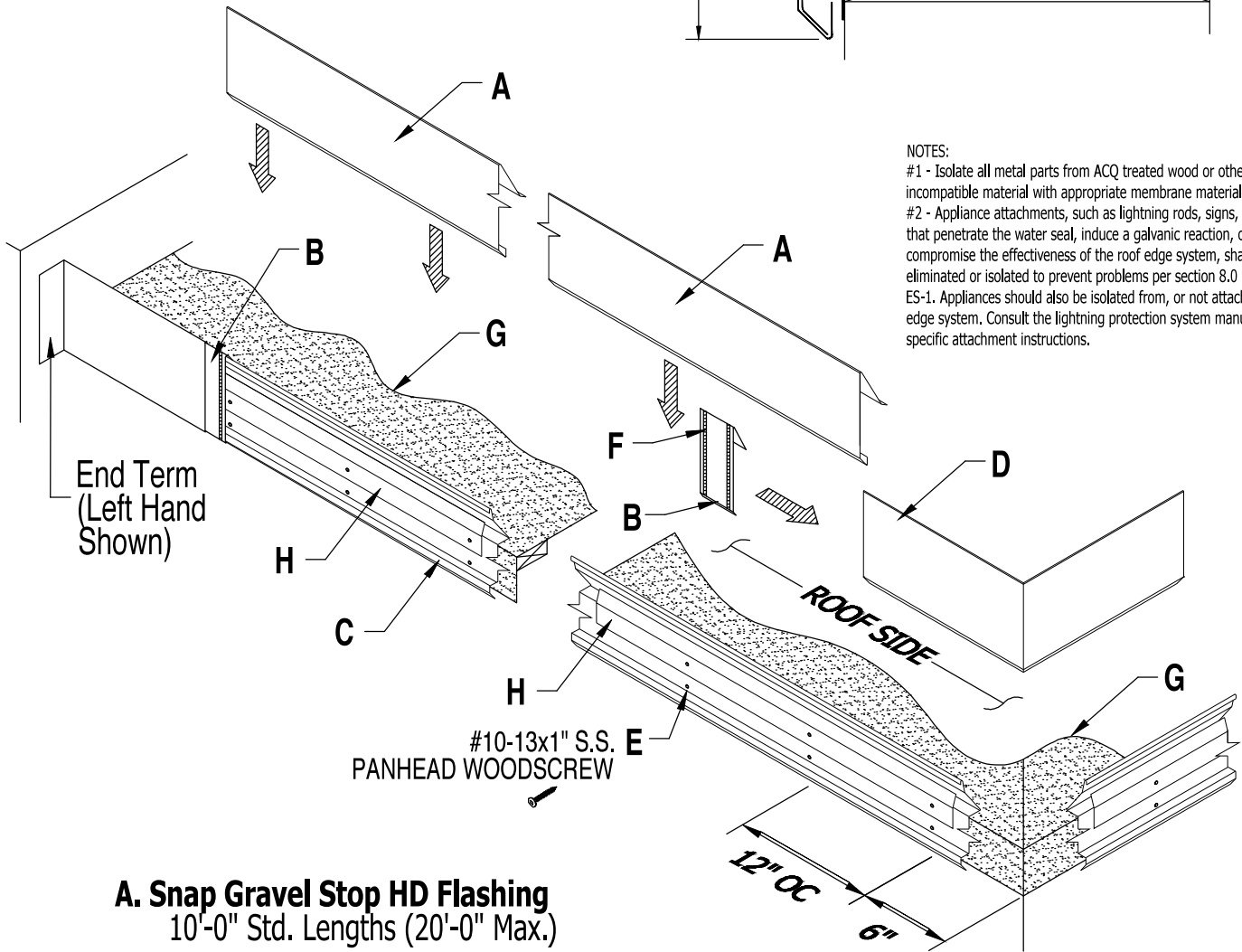


# Installation Guide for Snap Gravel Stop HD



**NOTES:**

- #1 - Isolate all metal parts from ACQ treated wood or other galvanically incompatible material with appropriate membrane material.
- #2 - Appliance attachments, such as lightning rods, signs, or antennae that penetrate the water seal, induce a galvanic reaction, or otherwise compromise the effectiveness of the roof edge system, shall be eliminated or isolated to prevent problems per section 8.0 if ANSI/SPRI ES-1. Appliances should also be isolated from, or not attached to, the roof edge system. Consult the lightning protection system manufacturer for specific attachment instructions.



**A. Snap Gravel Stop HD Flashing**  
10'-0" Std. Lengths (20'-0" Max.)

**B. Snap Gravel Stop HD Splice Plate**  
6" Lengths

**C. 22GA Continuous Cleat**  
10'-0" Lengths

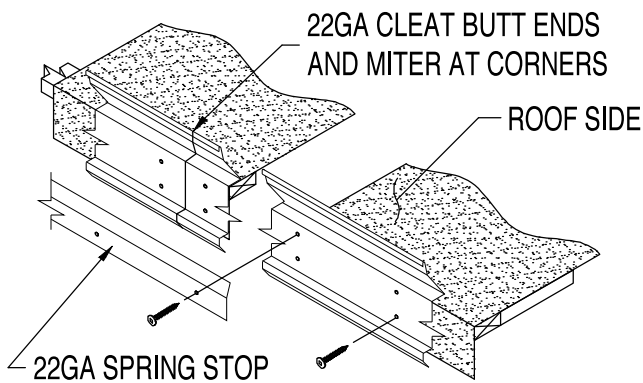
**D. Snap Gravel Stop HD Miter**  
(Outside Corner Shown)

**E. #10-13x1" S.S. Screw**  
at 12" o.c. (6" from ends)  
(Included & Required)

**F. Tube Sealant**

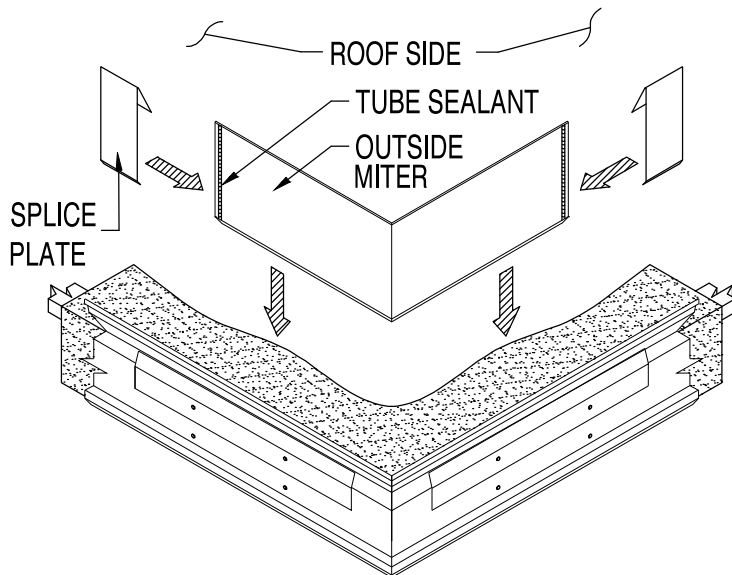
**G. Approved Roofing Membrane**  
(By Installer)

**H. 22GA Spring Stop**  
10'-0" Lengths



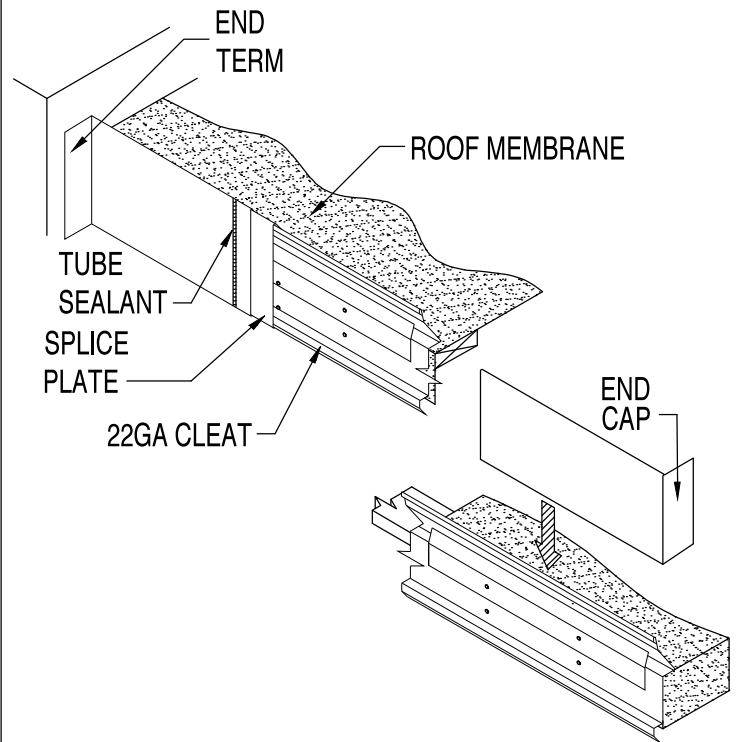
### STEP 1 : Installing 22GA Galvanized Cleat & Spring Stop

Place the roof side foot of the Cleat squarely over the roof membrane on the top edge of the wood nailing plate. Press cleats securely in position and fasten through the bottom row of pre-punched holes with #10-13x1" S.S. Pancake Head Woodscrews provided. Apply a bead of tube sealant over butted Cleat ends. Next place Spring Stop over upper row of pre-punched holes and fasten with #10-13x1" Pancake Head Woodscrews through Spring Stop, Cleat, membrane, and into wood nailer. For Miter application, miter cut into corner as required to maintain a continuous Cleat line. Then fasten at a min. 6" in each direction from the corner or closer at special conditions.



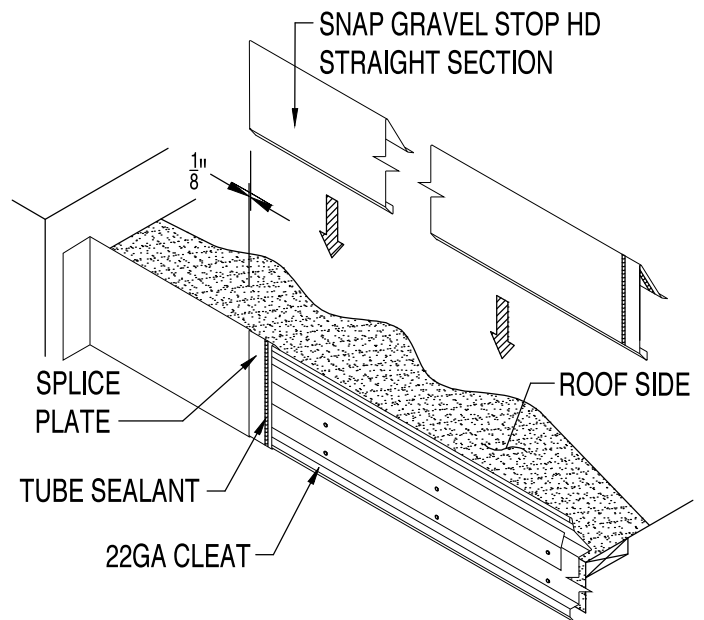
### STEP 2 : Installing Snap Gravel Stop HD Mitters

Locate the Mitters and Splice Plates for the appropriate corners. Apply a bead of Tube Sealant inside the Miter ends. Place a Splice Plate under each end of the Miter sections. Install the Miter by hooking the Snap Gravel Stop HD Miter over the roof side kick up of the Cleat, and push down onto the lower kick of the Cleat.



### STEP 3 : Installing Gravel Stop End Caps and End Terms

Apply a bead of Tube Sealant inside End Cap or End Term and place a Splice Plate under each end of the End Cap or End Term. Install the Snap Gravel Stop End Caps and End Terms by hooking the drip of the Snap Gravel Stop HD End Cap or End Term over the roof side kick up of the Cleat, and push down onto the lower kick of the Cleat.



### STEP 4 : Installing Snap Gravel Stop HD Straight Lengths

Apply a bead of Tube Sealant onto the Splice Plate of the Miter, End Term, or End Cap. Install the Snap Gravel Stop HD Flashing by hooking the flashing onto the roof side kick up of the Cleat and push down onto the lower kick out of the Cleat. **Allow  $\frac{1}{8}$ " Gap between Snap Gravel Stop HD lengths for thermal expansion.** Consider lengths of all straight pieces prior to cutting to avoid creating relatively short sections adjacent to one another. Note: There should be a Splice Plate at every joint.