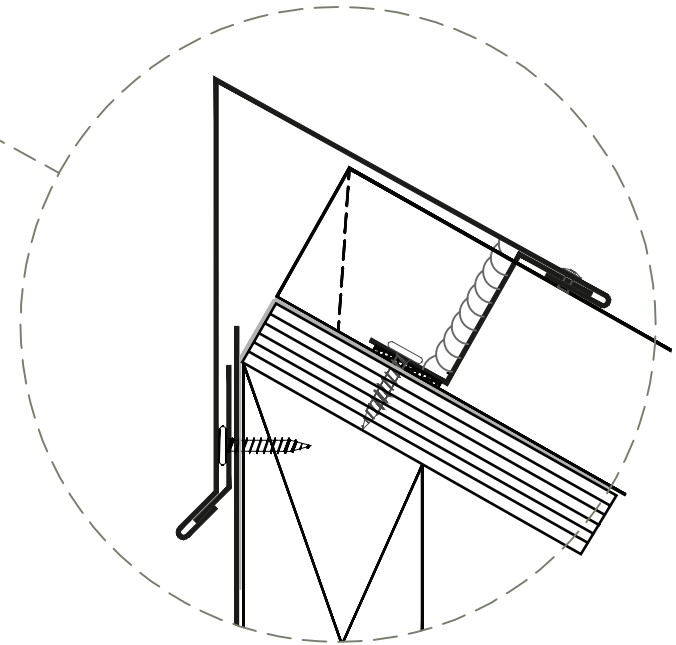
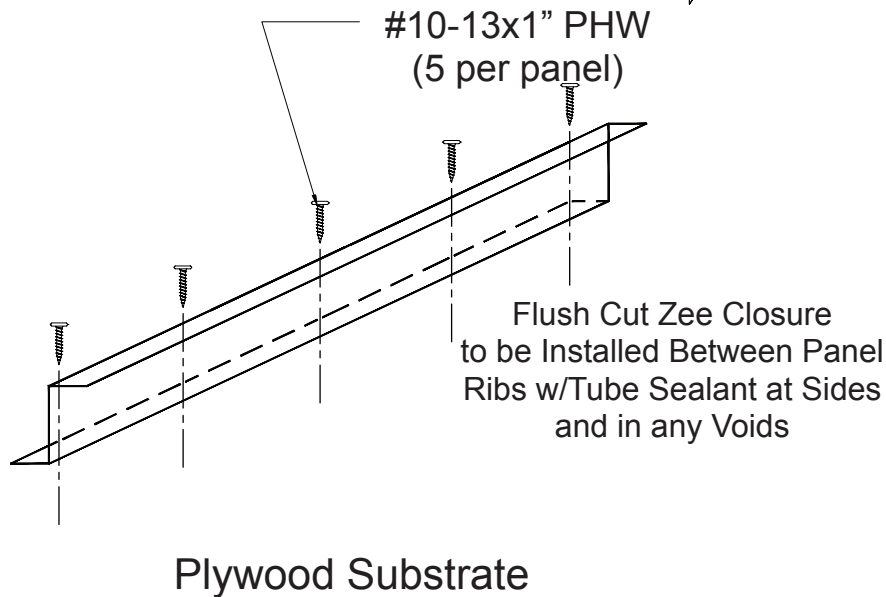


- Peak Flashing
- Box End of Panel
(see Zee Closure Options Detail)
- #10-13x1" PHW (5 per panel)
- Jet Metals Approved Tube Sealant
- 1/8"-#43 Pop Rivet (18" o.c.)
- Z-Closure Flashing
- D.B. Tape Sealant
- Jetshield Underlayment
- Plywood Substrate (1/2" min.)
- JET-LOK Panel
- #10-13x1" PHW (6" o.c.)
- Cleat Flashing
- Fascia Flashing



Zoomed in View

JET METALS, LLC.

DRAWING NAME:
JET-LOK PEAK

REV: 0	DRAWING NUMBER:	A	SHEET: 1 of 1
DATE: 06/01/2015	DRAWN BY: Off Balance Digital Art	PAINT:	