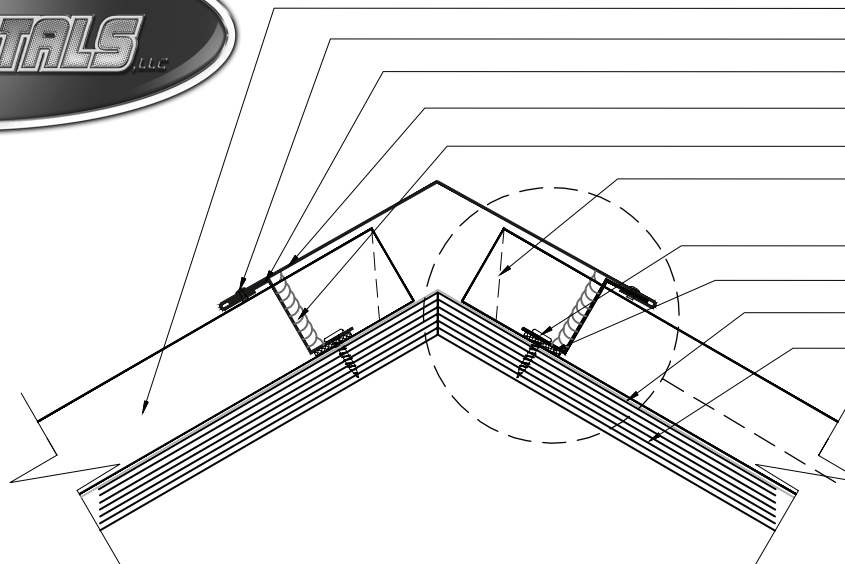
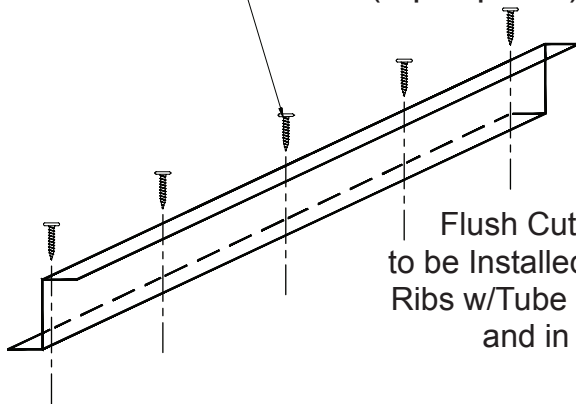




- JET-LOK Panel
- 1/8" -#43 Pop Rivet (18" o.c.)
- Z-Closure Flashing
- Ridge/Hip Flashing
- Jet Metals Approved Tube Sealant
- Box End of Panel
(see Zee Closure Options Detail)
- #10-13x1" PHW (5 per panel)
- D.B. Tape Sealant
- Jetshield Underlayment
- Plywood Substrate (1/2" min.)

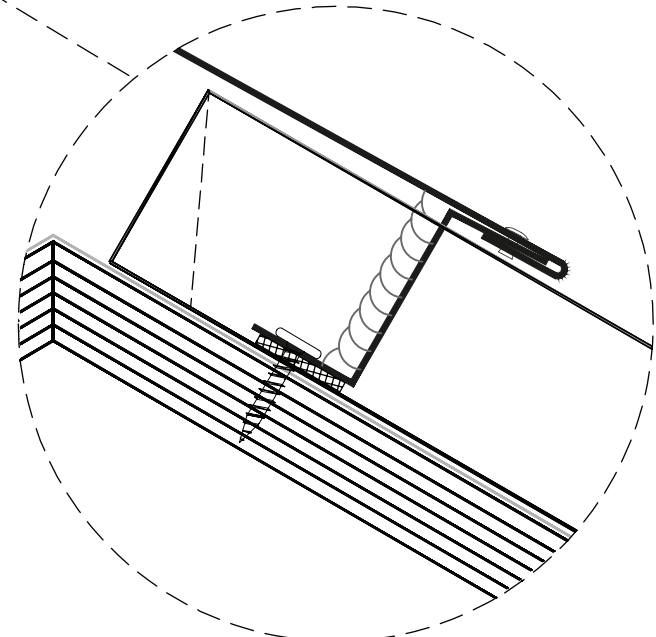


#10-13x1" PHW
(5 per panel)



Flush Cut Zee Closure
to be Installed Between Panel
Ribs w/Tube Sealant at Sides
and in any Voids

Plywood Substrate



Zoomed in View

JET METALS, LLC.

DRAWING NAME:

JET-LOK RIDGE/HIP

REV: 0	DRAWING NUMBER:	A	SHEET: 1 of 1
DATE: 06/01/2015	DRAWN BY: Off Balance Digital Art	PAINT:	