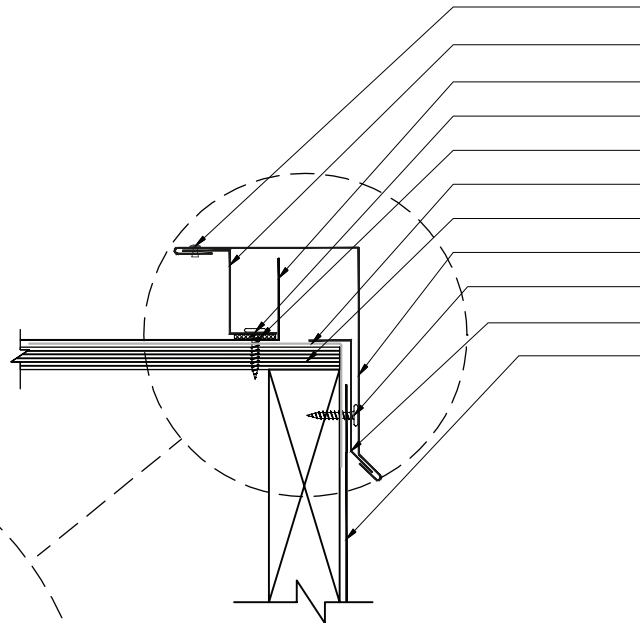
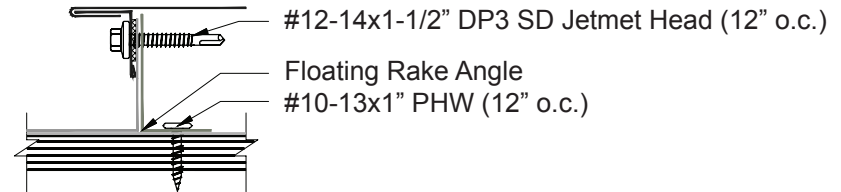
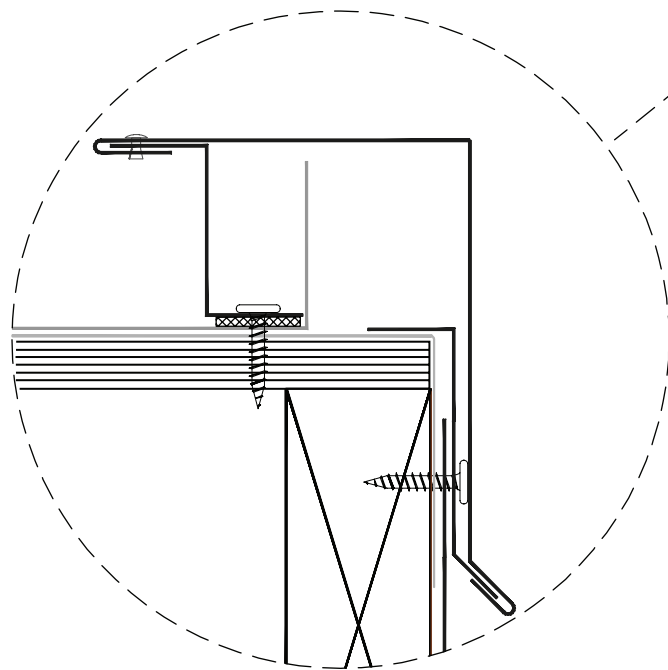




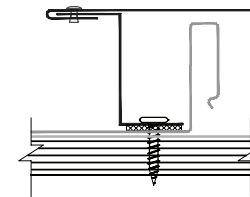
- 1/8" -#43 Pop Rivet (18" o.c.)
- Z-Closure Flashing
- JM1000 Panel (Field Cut and Bend)
- #10-13x1" PHW (12" o.c.)
- D.B. Tape Sealant
- Jetshield Underlayment
- Plywood Substrate (1/2" min.)
- Gable Flashing
- #10-13x1" PHW (12" o.c.)
- Gable Cleat Flashing
- Fascia Flashing



Zoomed in View



Floating Gable



On Module

Plywood Substrate

JET METALS, LLC.

DRAWING NAME:

JM1000 GABLE

REV: 0	DRAWING NUMBER:	A	SHEET: 1 of 1
DATE: 06/01/2015	DRAWN BY: Off Balance Digital Art	PAINT:	