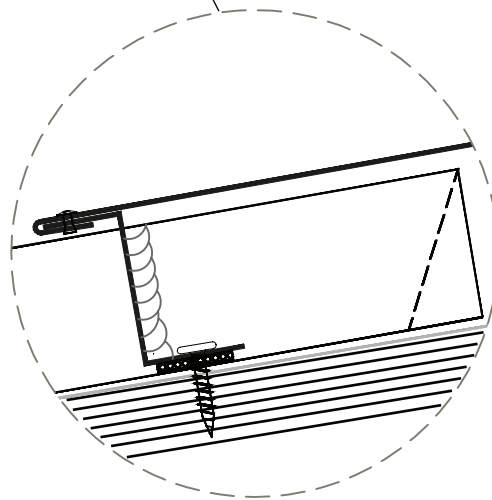
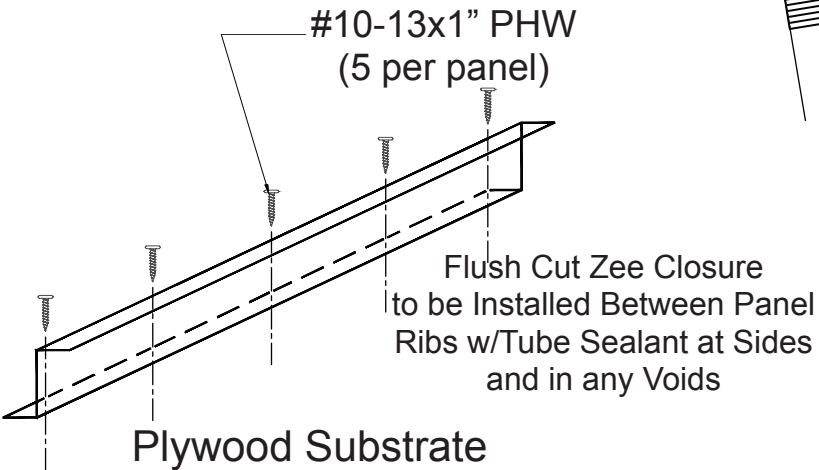
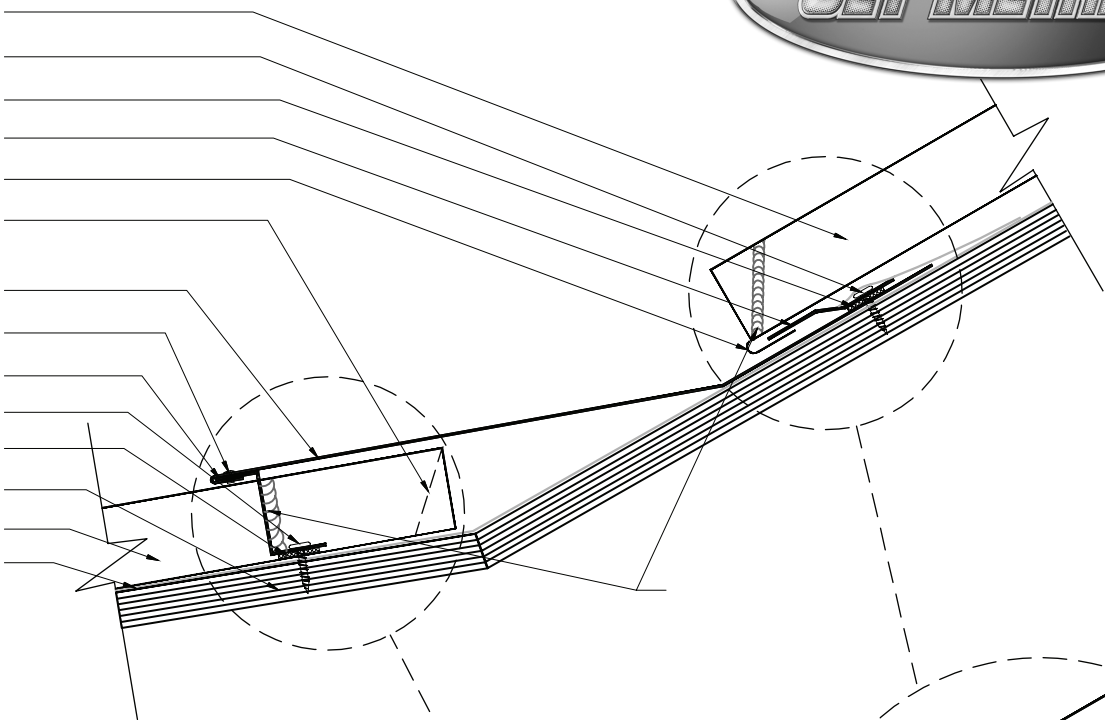
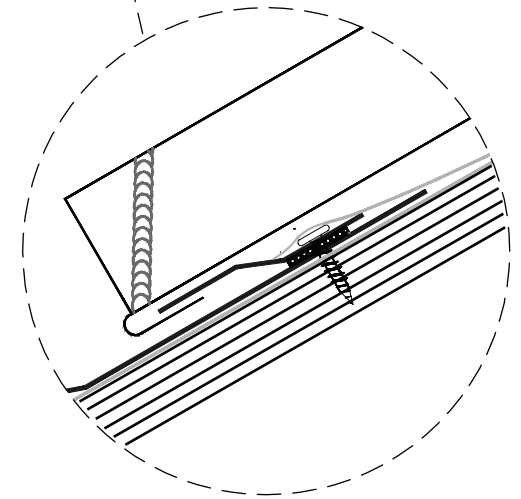




- JM1000 Panel
- #10-13x1" PHW (12" o.c.)
- D.B. Tape Sealant
- Offset Cleat Flashing
- Field Cut & Hem Panel 180°
- Box End of Panel  
(see Zee Closure Options Detail)
- Transition Flashing
- 1/8"-#43 Pop Rivet (18" o.c.)
- Z-Closure
- #10-13x1" PHW (5 per panel)
- D.B. Tape Sealant
- Plywood Substrate (1/2" min.)
- JM1000 Panel
- Jetshield Underlayment



Zoomed in View



Zoomed in View

**JET METALS, LLC.**

DRAWING NAME:

**JM1000 TRANSITION**

REV: 0	DRAWING NUMBER:	<b>A</b>	SHEET: 1 of 1
DATE: 06/01/2015	DRAWN BY: Off Balance Digital Art	PAINT:	