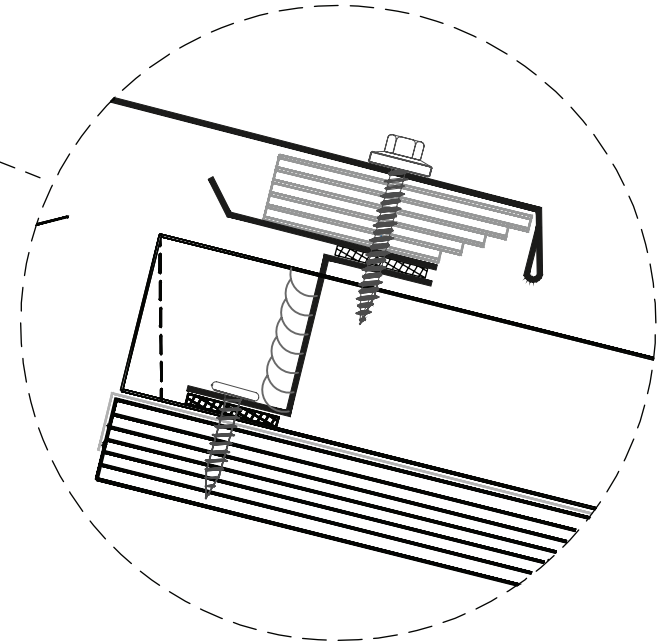
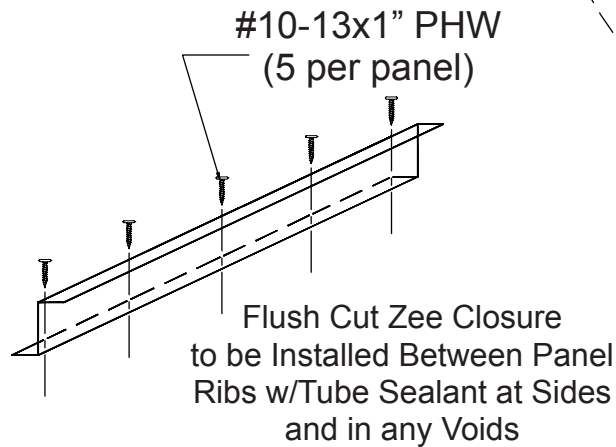


- Cor-A-Vented Ridge Flashing
- Box End Panel
- #10-13x1" PHW (5 per panel)
- Cor-A-Vent JM600
- Air Dam
- #10-12x1-1/2" GB Jetmet Head SHC WS(12" o.c.)
- D.B. Tape Sealant
- Jet Metals Approved Tube Sealant
- Z-Closure Flashing
- D.B. Tape Sealant
- JM1500 Panel

note:
Net Free Area = 20 sq in/ft



Zoomed in View



#10-13x1" PHW
(5 per panel)

Flush Cut Zee Closure
to be Installed Between Panel
Ribs w/Tube Sealant at Sides
and in any Voids

Plywood Substrate

JET METALS, LLC.

DRAWING NAME:
JM1500 COR-A-VENTED RIDGE/HIP

REV: 0	DRAWING NUMBER:	A	SHEET: 1 of 1
DATE: 06/01/2015	DRAWN BY: Off Balance Digital Art	PAINT:	