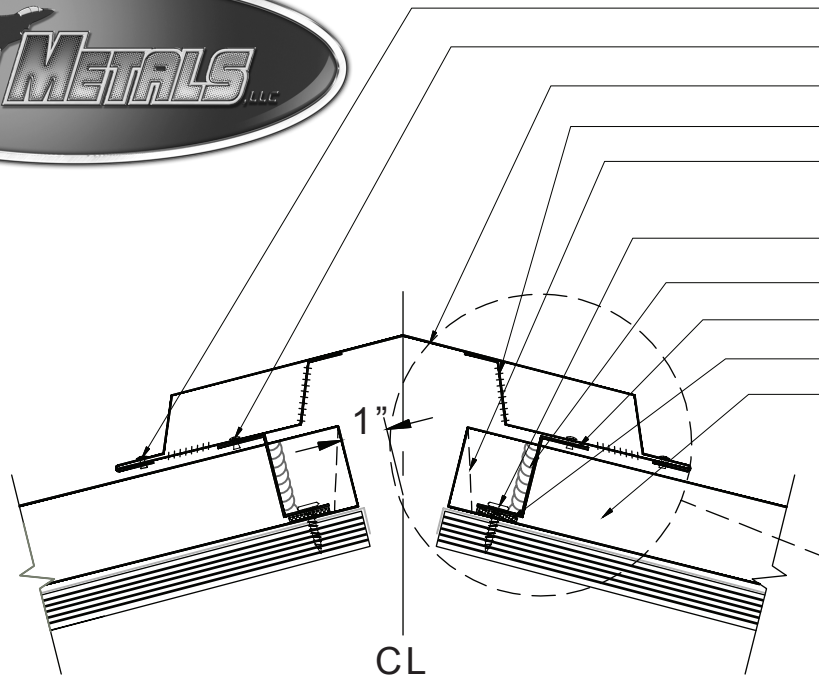
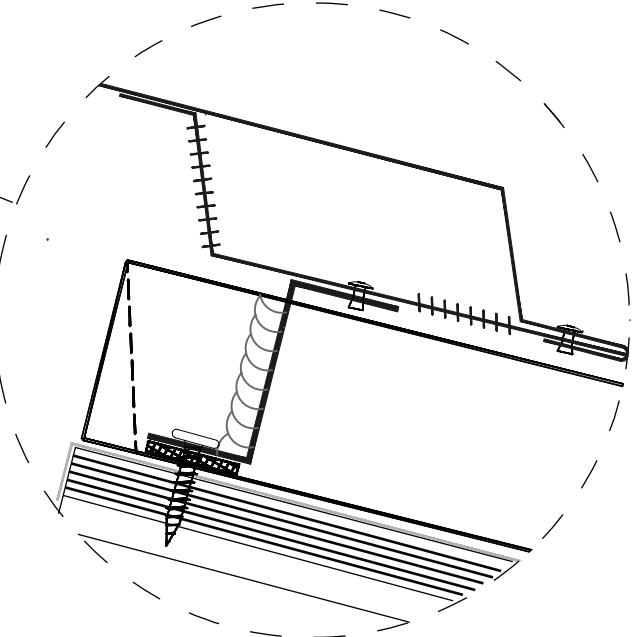




- 1/8" -#43 Pop Rivet (18" o.c.)
- 1/8" -#43 Pop Rivet (3 per panel)
- Vented Ridge/Hip Flashing
- Perforated Z-Support Flashing
- Box End of Panel  
(see Zee Closure Options Detail)
- #10-13x1" PHW (5 per panel)
- Jet Metals Approved Tube Sealant
- Z-Closure Flashing
- D.B. Tape Sealant
- JM1500 Panel

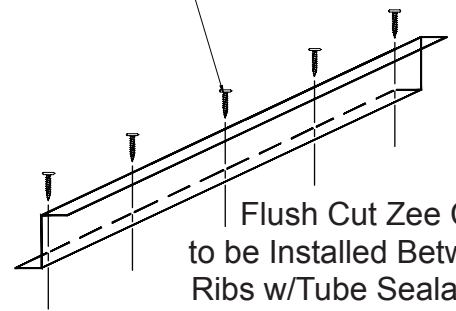


note:  
Net Free Area = 6.16 sq in/ft



Zoomed in View

#10-13x1" PHW  
(5 per panel)



Flush Cut Zee Closure  
to be Installed Between Panel  
Ribs w/Tube Sealant at Sides  
and in any Voids

Plywood Substrate

**JET METALS, LLC.**

DRAWING NAME:  
**JM1500 VENTED RIDGE/HIP**

REV: 0	DRAWING NUMBER:	<b>A</b>	SHEET: 1 of 1
DATE: 06/01/2015	DRAWN BY: Off Balance Digital Art	PAINT:	