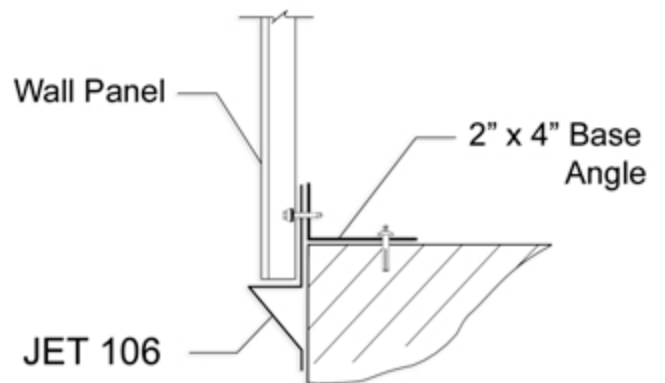
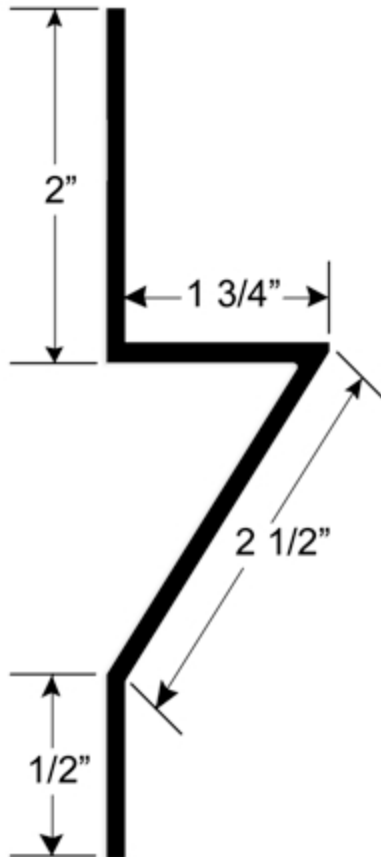
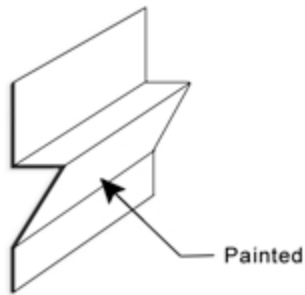


COMMERCIAL BASE TRIM JET-106



NOTES:

- 1. ALL ANGLES TO BE 90° UNLESS OTHERWISE SPECIFIED
 - 2. ALL RADIUS TO BE 1/16" UNLESS OTHERWISE SPECIFIED.
 - 3. ALL HEMS TO BE CLOSED UNLESS OTHERWISE SPECIFIED.
- BLANK SIZE - .023, .019, .015, X 3" +0 -1/16"
 MATERIAL LENGTH TO BE 120" +/- 1/4" UNLESS OTHERWISE SPECIFIED..



JET METALS, L.L.C.

DRAWING NAME:
JET-106 Base Trim

Tolerances:
Fractional +0 -1/16" Angles +/- 3°
Twist/Ski 1/8" in 3ft
Straightness/Camber 1/4" in 10ft

Approved By:
EMB



DRAWING NUMBER: JET-106

REV:
0

PAINT:

DRAWN BY:
Off Balance Digital Art

DATE: 03/10/07