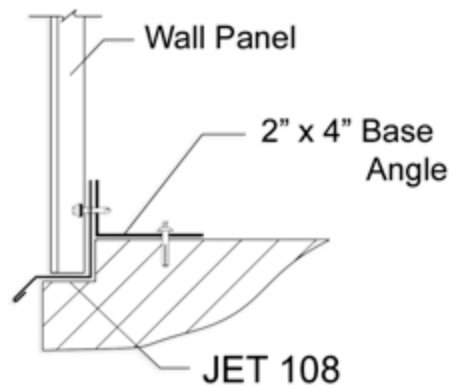
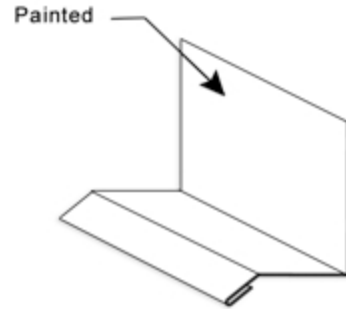
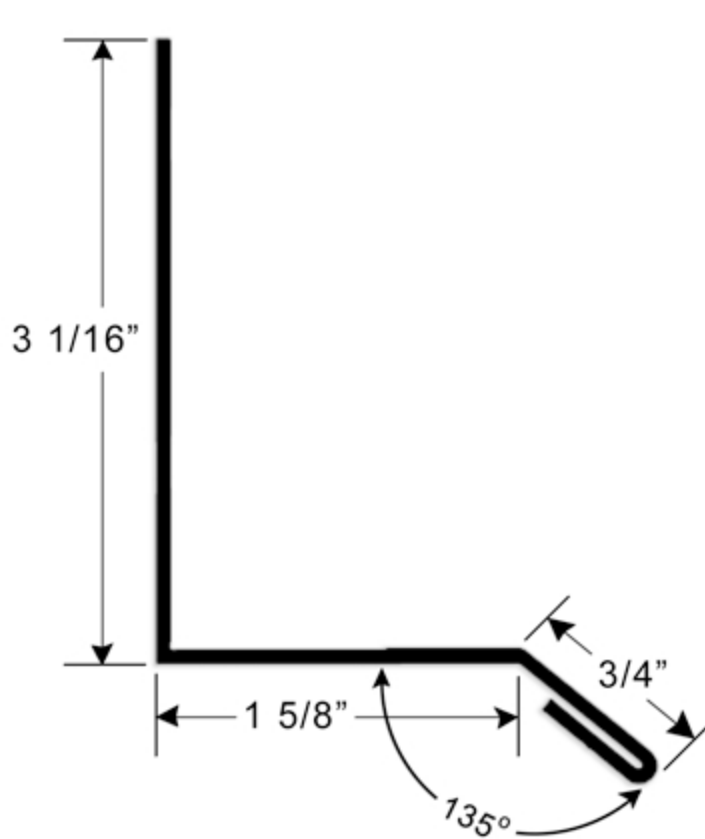


# COMMERCIAL BASE TRIM JET-108



**NOTES:**

1. ALL ANGLES TO BE 90° UNLESS OTHERWISE SPECIFIED
  2. ALL RADIUS TO BE 1/16" UNLESS OTHERWISE SPECIFIED.
  3. ALL HEMS TO BE CLOSED UNLESS OTHERWISE SPECIFIED.
- BLANK SIZE - .023, .019, .015, X 3" +0 -1/16"  
 MATERIAL LENGTH TO BE 120" +/- 1/4" UNLESS OTHERWISE SPECIFIED..



## JET METALS, L.L.C.

DRAWING NAME:

JET-108 Base Trim

Tolerances:

Fractional +0 -1/16" Angles +/- 3°  
 Twist/Ski 1/8" in 3ft  
 Straightness/Camber 1/4" in 10ft

Approved By:  
 EMB



DRAWING NUMBER: JET-108

REV:  
 0

PAINT:

DRAWN BY:  
 Off Balance Digital Art

DATE: 03/10/07