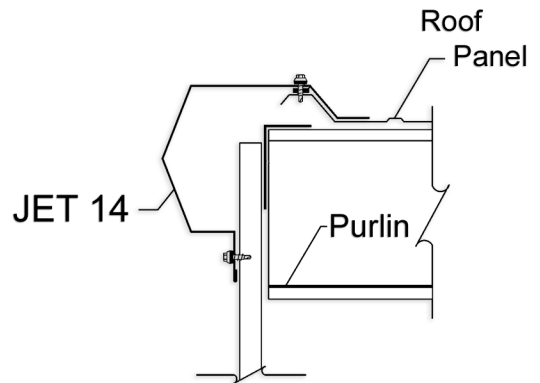
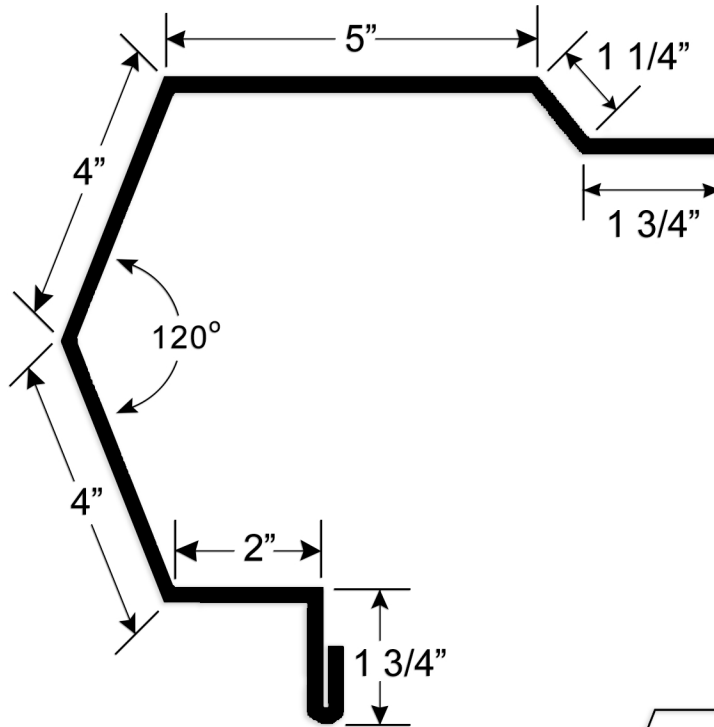
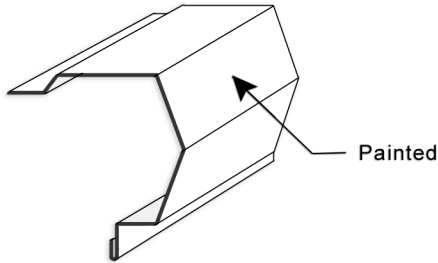


SCULPTED RAKE JET-14



NOTES:

- 1. ALL ANGLES TO BE 90° UNLESS OTHERWISE SPECIFIED
 - 2. ALL RADIUS TO BE 1/16" UNLESS OTHERWISE SPECIFIED.
 - 3. ALL HEMS TO BE CLOSED UNLESS OTHERWISE SPECIFIED.
- BLANK SIZE - .023, .019, .015, X 3" +0 -1/16"
 MATERIAL LENGTH TO BE 120" +/- 1/4" UNLESS OTHERWISE SPECIFIED..



JET METALS, L.L.C.

DRAWING NAME: JET-14 Sculpted Rake		Tolerances: Fractional +0 -1/16" Angles +/- 3° Twist/Ski 1/8" in 3ft Straightness/Camber 1/4" in 10ft	
Approved By: EMB		DRAWING NUMBER: JET-14	REV: 0
PAINT: Kynar 500	DRAWN BY: Off Balance Digital Art	DATE: 03/10/07	