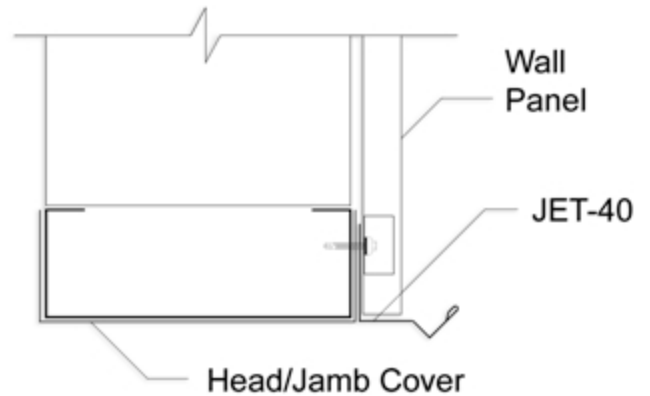
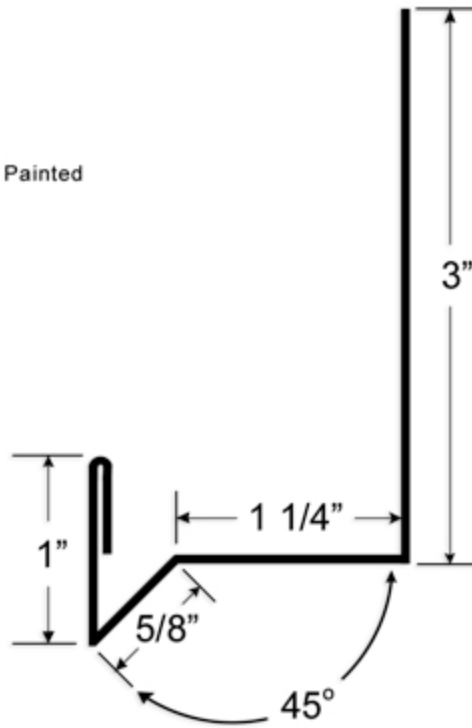
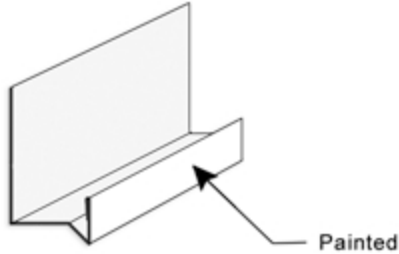


# COMMERCIAL HEAD TRIM JET-40



**NOTES:**

1. ALL ANGLES TO BE 90° UNLESS OTHERWISE SPECIFIED
  2. ALL RADIUS TO BE 1/16" UNLESS OTHERWISE SPECIFIED.
  3. ALL HEMS TO BE CLOSED UNLESS OTHERWISE SPECIFIED.
- BLANK SIZE - .023, .019, .015, X 3" +0 -1/16"  
 MATERIAL LENGTH TO BE 120" +/- 1/4" UNLESS OTHERWISE SPECIFIED..



## JET METALS, L.L.C.

DRAWING NAME:  
JET-40 Head Trim

Tolerances:  
Fractional +0 -1/16" Angles +/- 3°  
Twist/Ski 1/8" in 3ft  
Straightness/Camber 1/4" in 10ft

Approved By:  
EMB

A

DRAWING NUMBER: JET-40

REV:  
0

PAINT:

DRAWN BY:  
Off Balance Digital Art

DATE: 03/10/07