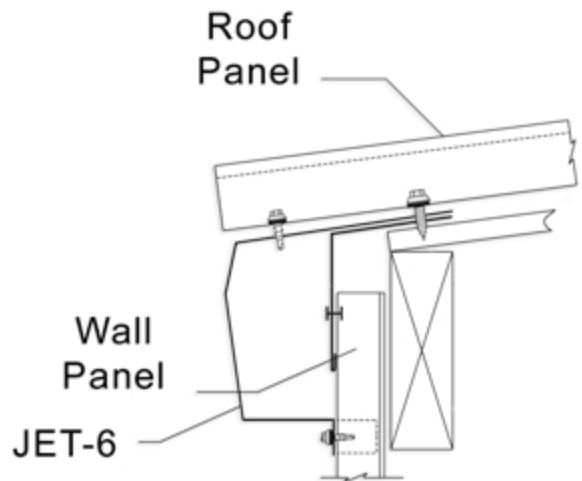
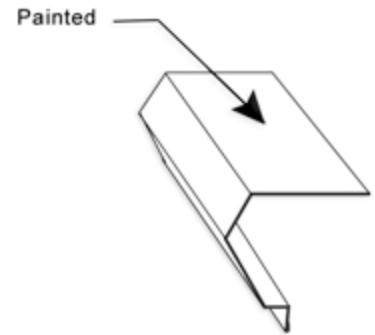
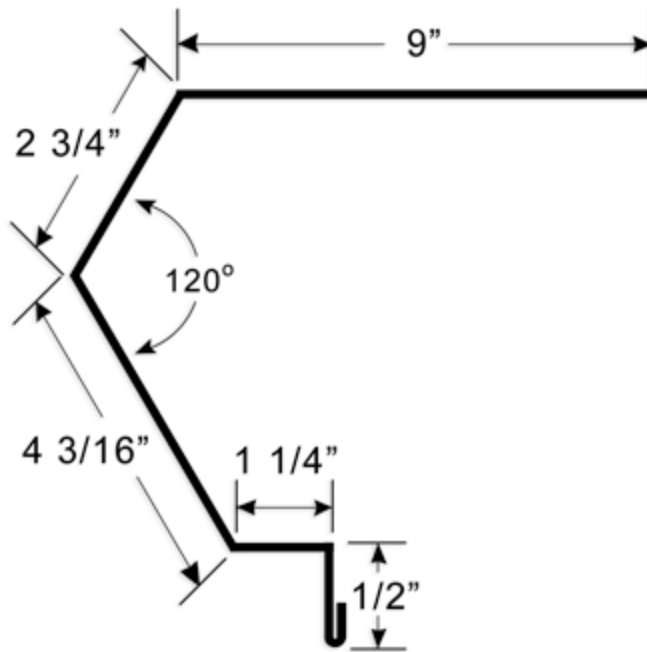


COMMERCIAL LOW EAVE JET-6



NOTES:

1. ALL ANGLES TO BE 90° UNLESS OTHERWISE SPECIFIED
 2. ALL RADIUS TO BE 1/16" UNLESS OTHERWISE SPECIFIED.
 3. ALL HEMS TO BE CLOSED UNLESS OTHERWISE SPECIFIED.
- BLANK SIZE - .023, .019, .015, X 3" +0 -1/16"
 MATERIAL LENGTH TO BE 120" +/- 1/4" UNLESS OTHERWISE SPECIFIED..



JET METALS, L.L.C.

DRAWING NAME:

JET-6 Low Eave

Tolerances:

Fractional +0 -1/16" Angles +/- 3°
 Twist/Ski 1/8" in 3ft
 Straightness/Camber 1/4" in 10ft

Approved By:
 EMB



DRAWING NUMBER: JET-6

REV:
 0

PAINT:

DRAWN BY:
 Off Balance Digital Art

DATE: 03/10/07