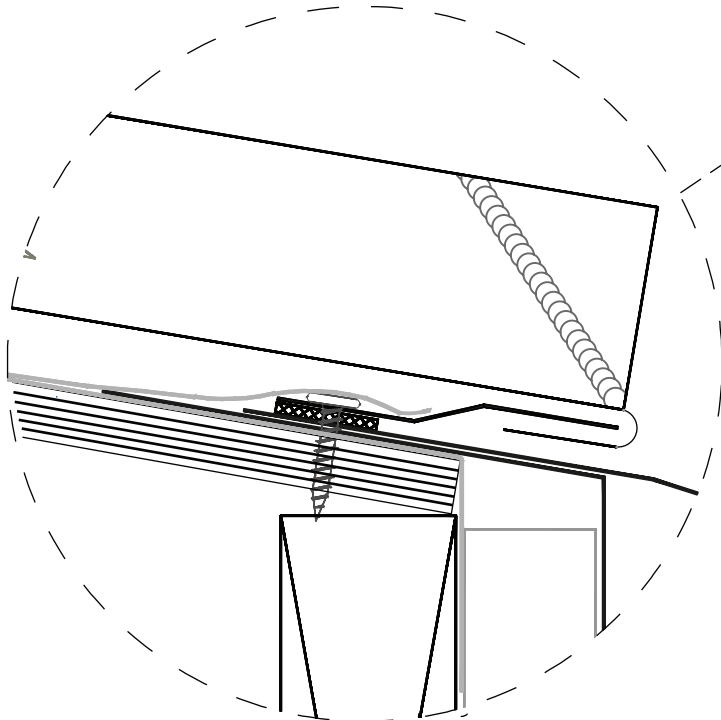




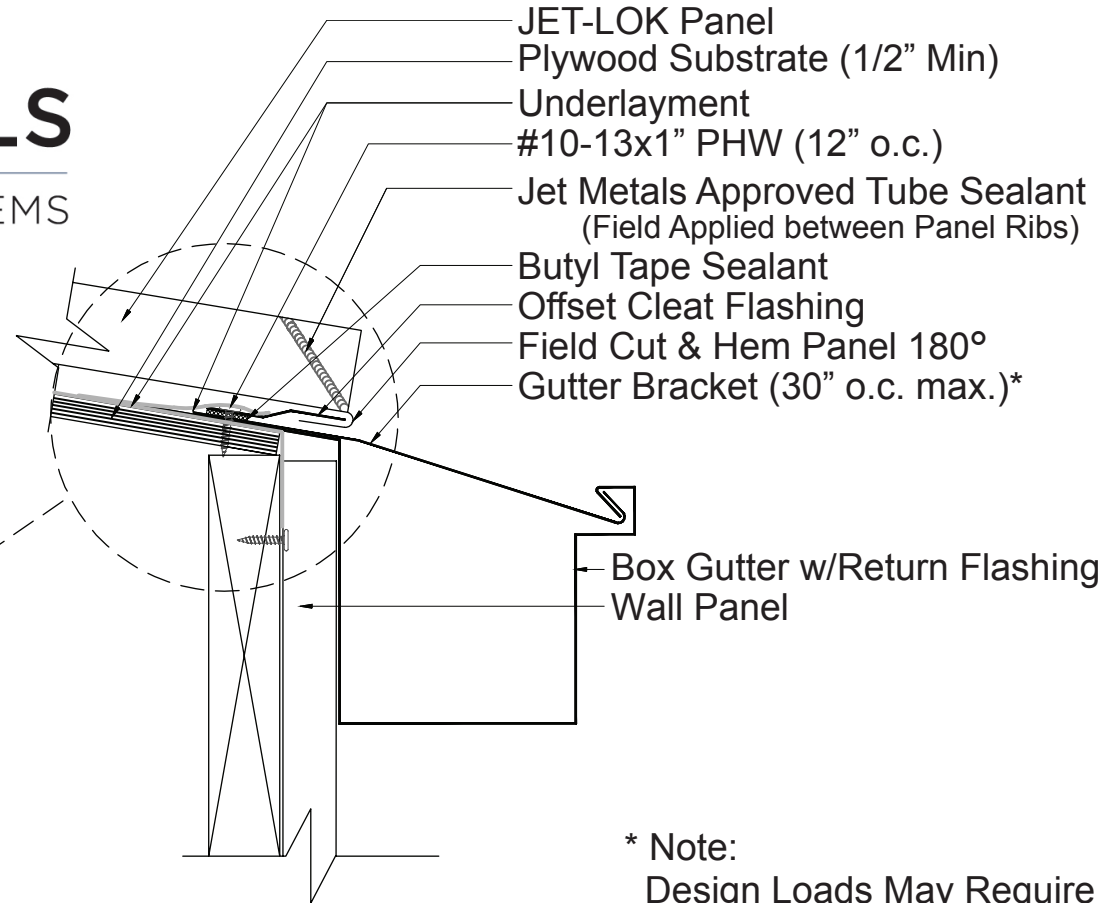
JET METALS

ROOF & WALL SYSTEMS

Zoomed in View



Plywood Substrate



* Note:
Design Loads May Require
Closer Spacing

JET METALS, LLC

DRAWING NAME:

JET-LOK BOX GUTTER
w/Return - w/Flush Panel

REV:
0

DRAWING NUMBER:

A

SHEET:
1 of 1

DATE:
06/01/2015

DRAWN BY:
Off Balance Digital Art

PAINT: