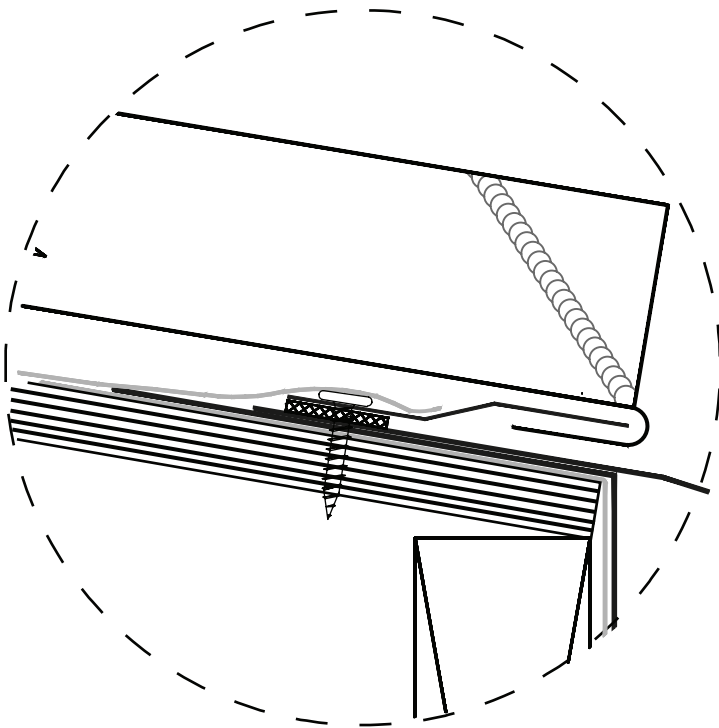




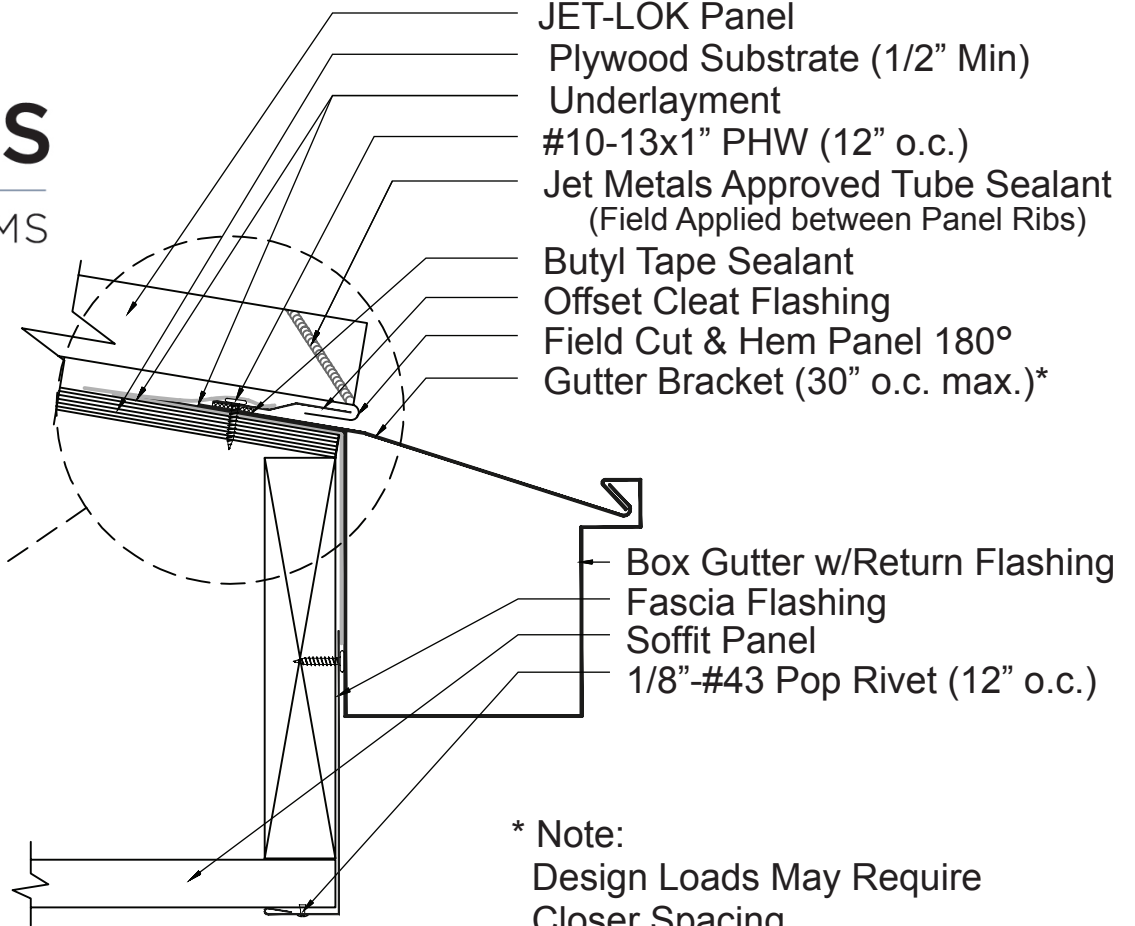
JET METALS

ROOF & WALL SYSTEMS

Zoomed in View



Plywood Substrate



- JET-LOK Panel
- Plywood Substrate (1/2" Min)
- Underlayment
- #10-13x1" PHW (12" o.c.)
- Jet Metals Approved Tube Sealant
(Field Applied between Panel Ribs)
- Butyl Tape Sealant
- Offset Cleat Flashing
- Field Cut & Hem Panel 180°
- Gutter Bracket (30" o.c. max.)*

- Box Gutter w/Return Flashing
- Fascia Flashing
- Soffit Panel
- 1/8"-#43 Pop Rivet (12" o.c.)

* Note:
Design Loads May Require
Closer Spacing

JET METALS, LLC

DRAWING NAME:

JET-LOK BOX GUTTER
w/Return - w/Soffit

REV: 0	DRAWING NUMBER:	A	SHEET: 1 of 1
-----------	-----------------	---	------------------

DATE: 06/01/2015	DRAWN BY: Off Balance Digital Art	PAINT:
---------------------	--------------------------------------	--------