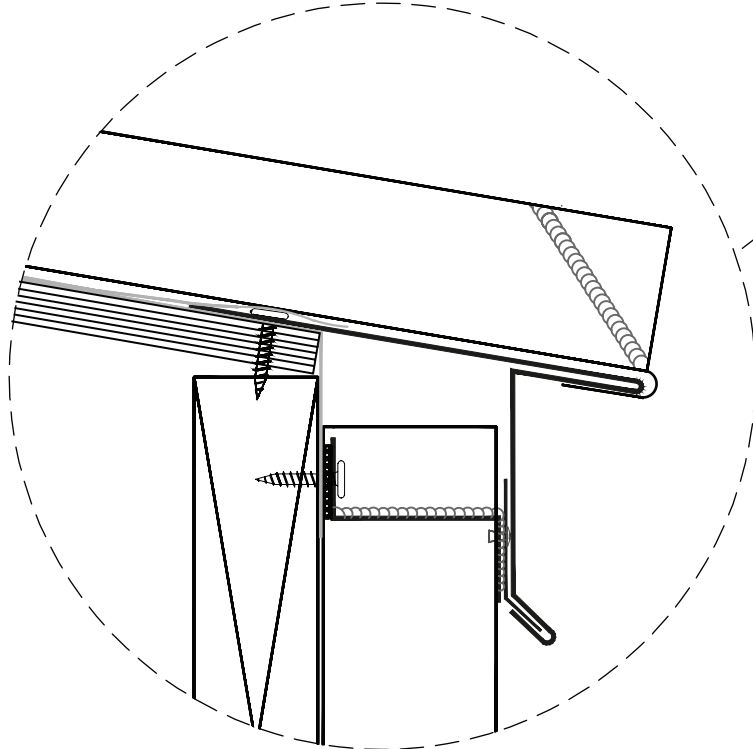




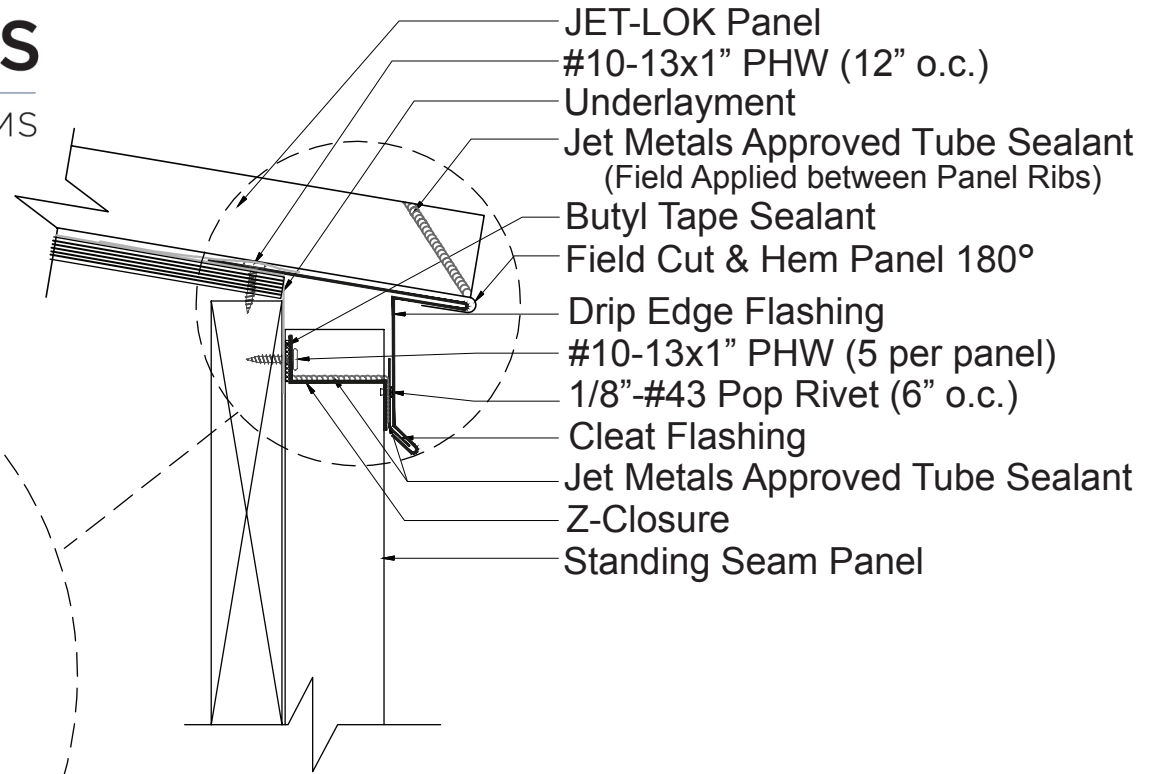
JET METALS

ROOF & WALL SYSTEMS

Zoomed in View



Plywood Substrate



JET METALS, LLC

DRAWING NAME:

JET-LOK Drip Edge
w/Stam Seam Panel

REV: 0	DRAWING NUMBER:	A	SHEET: 1 of 1
DATE: 06/01/2015	DRAWN BY: Off Balance Digital Art	PAINT:	