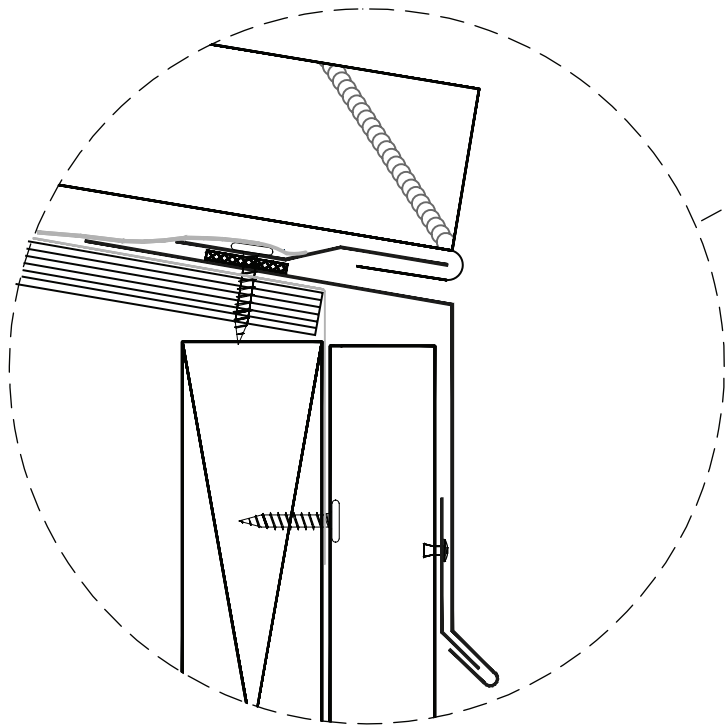




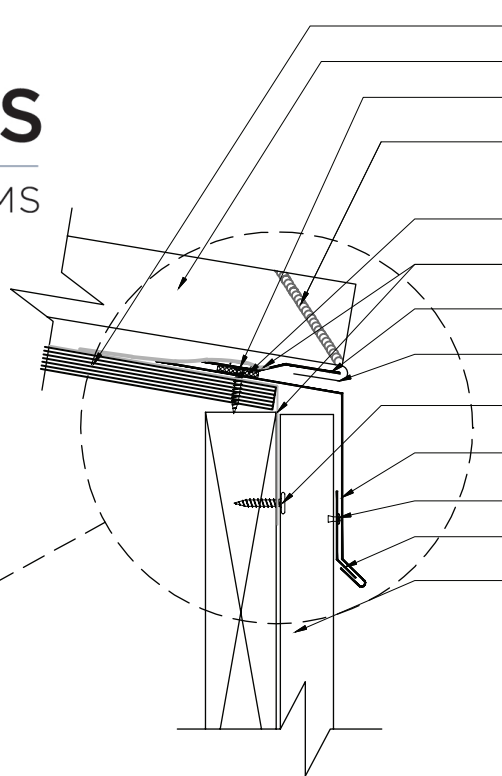
# JET METALS

ROOF & WALL SYSTEMS

Zoomed in View



Plywood Substrate



- Plywood Substrate (1/2" min)
- JET-LOK Panel
- #10-13x1" PHW (12" o.c.)
- Jet Metals Approved Tube Sealant  
(Field Applied between Panel Ribs)
- Butyl Tape Sealant
- Underlayment
- Offset Cleat Flashing
- Field Cut & Hem Panel 180°
- #10-13x1" PHW (5 per panel)
- Eave Flashing
- 1/8"-#43 Pop Rivet (6" o.c.)
- Cleat Flashing
- Wall Panel

## JET METALS, LLC

DRAWING NAME:

JET-LOK Eave  
w/Flush Panel

REV:  
0

DRAWING NUMBER:

A

SHEET:  
1 of 1

DATE:  
06/01/2015

DRAWN BY:  
Off Balance Digital Art

PAINT: