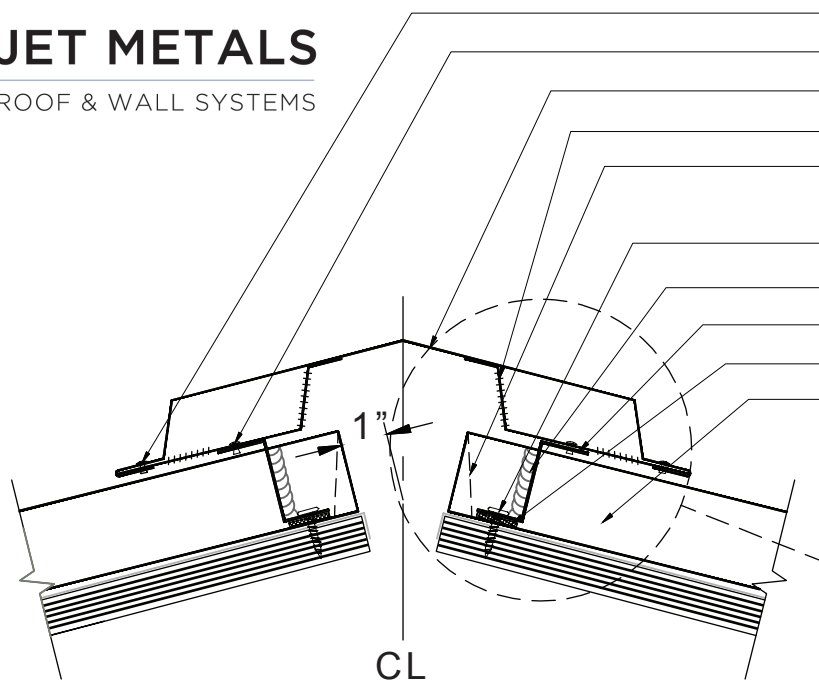




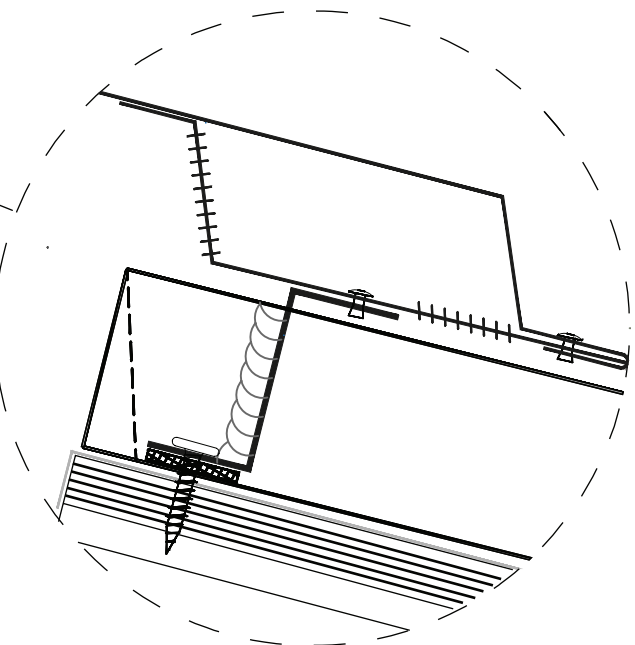
JET METALS

ROOF & WALL SYSTEMS



- 1/8"-#43 Pop Rivet (18" o.c.)
- 1/8"-#43 Pop Rivet (3 per panel)
- Vented Ridge/Hip Flashing
- Perforated Z-Support Flashing
- Box End of Panel
(see Zee Closure Options Detail)
- #10-13x1" PHW (5 per panel)
- Jet Metals Approved Tube Sealant
- Z-Closure Flashing
- Butyl Tape Sealant
- JET-LOK Panel

Note:
Net Free Area = 6.16 sq in/ft



Zoomed in View

Plywood Substrate

JET METALS, LLC

DRAWING NAME:
JET-LOK VENTED RIDGE/HIP

REV: 0	DRAWING NUMBER:	A	SHEET: 1 of 1
DATE: 06/01/2015	DRAWN BY: Off Balance Digital Art	PAINT:	

