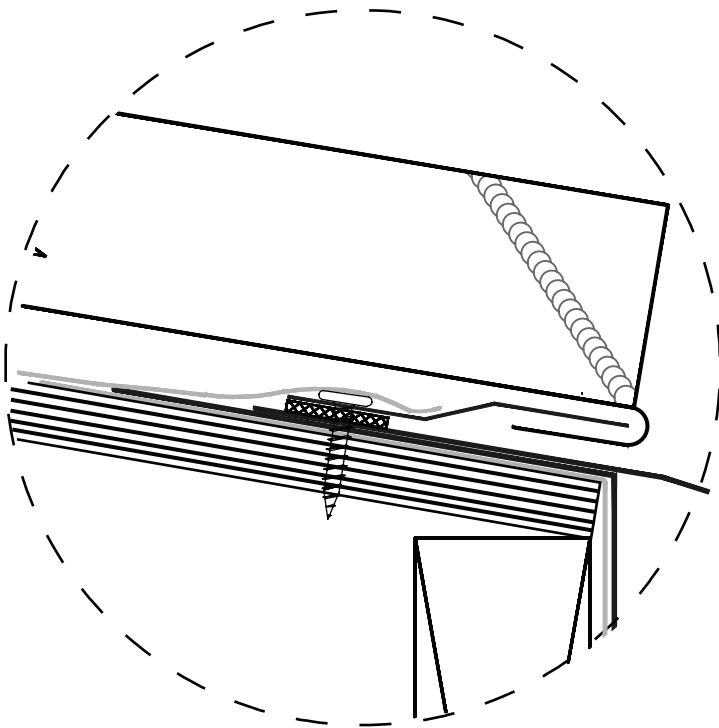




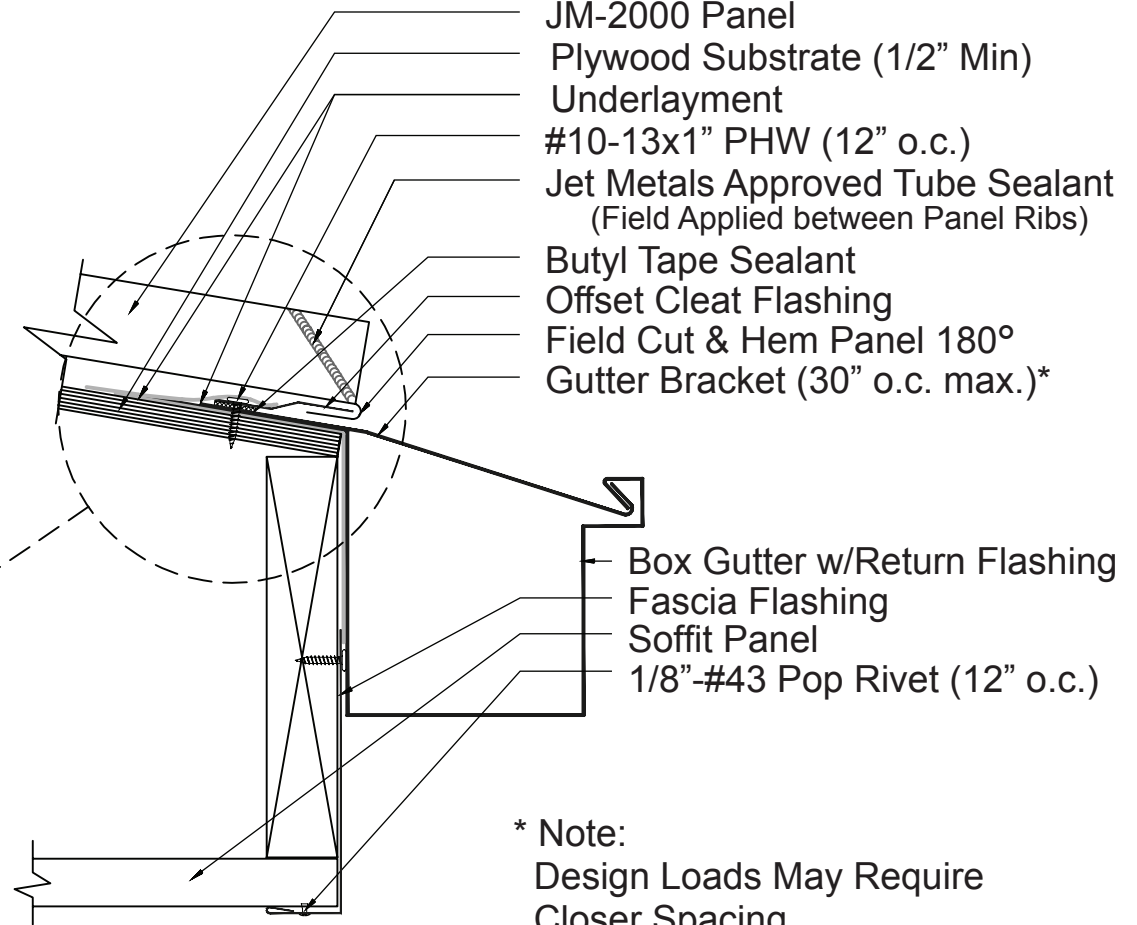
# JET METALS

ROOF & WALL SYSTEMS

Zoomed in View



Plywood Substrate



- JM-2000 Panel
- Plywood Substrate (1/2" Min)
- Underlayment
- #10-13x1" PHW (12" o.c.)
- Jet Metals Approved Tube Sealant  
(Field Applied between Panel Ribs)
- Butyl Tape Sealant
- Offset Cleat Flashing
- Field Cut & Hem Panel 180°
- Gutter Bracket (30" o.c. max.)\*

- Box Gutter w/Return Flashing
- Fascia Flashing
- Soffit Panel
- 1/8"-#43 Pop Rivet (12" o.c.)

\* Note:  
Design Loads May Require  
Closer Spacing

## JET METALS, LLC

DRAWING NAME:

**JM-2000 BOX GUTTER  
w/Return - w/Soffit**

REV: 0	DRAWING NUMBER:	<b>A</b>	SHEET: 1 of 1
DATE: 06/01/2015	DRAWN BY: Off Balance Digital Art	PAINT:	