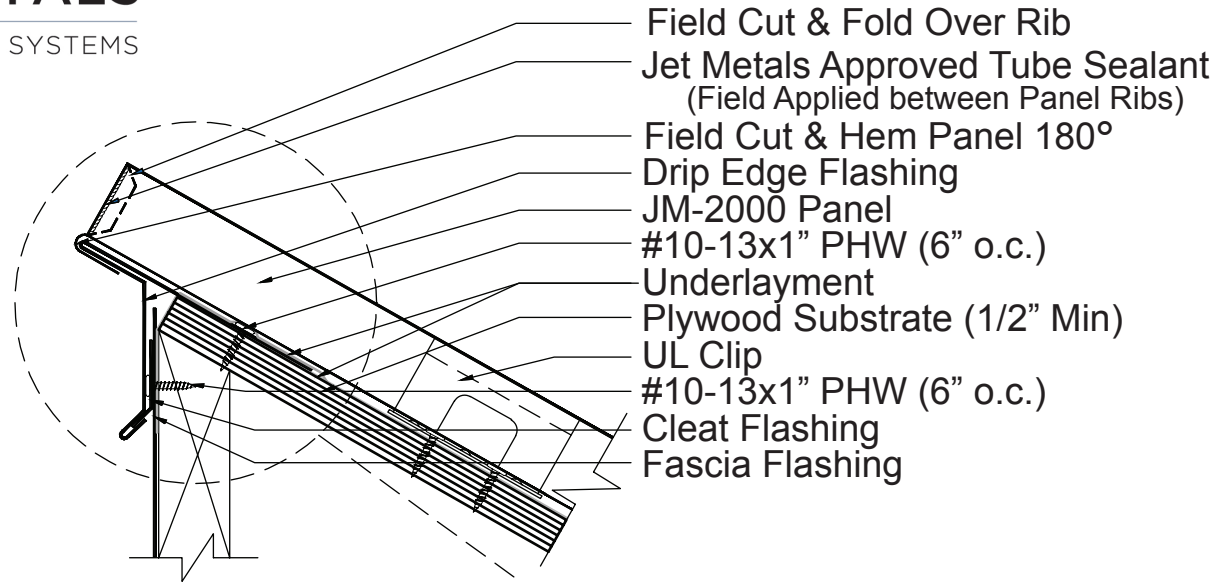


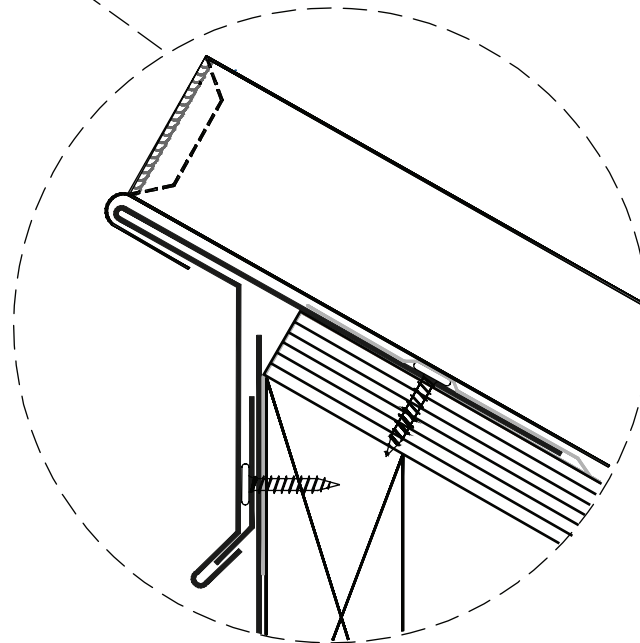


JET METALS

ROOF & WALL SYSTEMS



Zoomed in View



Plywood Substrate

JET METALS, LLC

DRAWING NAME:

JM2000 Drip Edge Peak

REV: 0	DRAWING NUMBER:	A	SHEET: 1 of 1
DATE: 06/01/2015	DRAWN BY: Off Balance Digital Art	PAINT:	