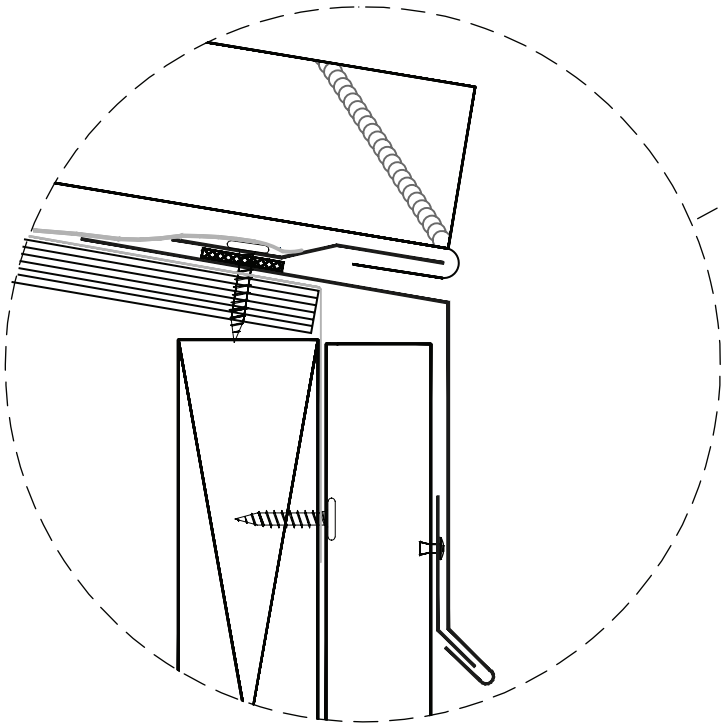




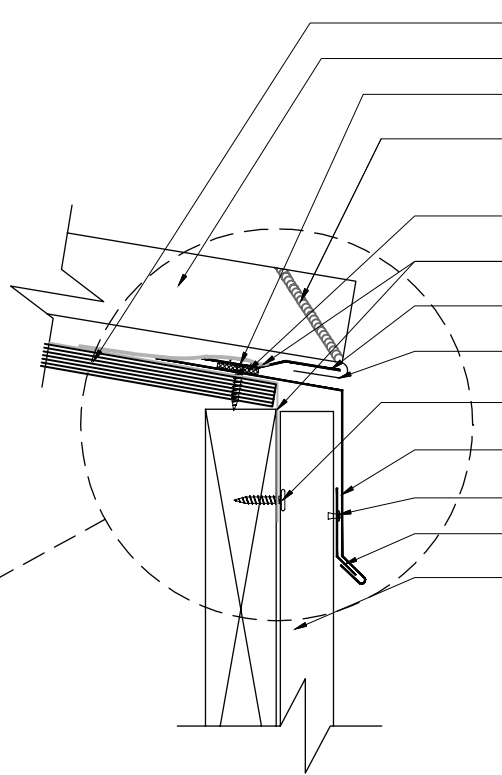
# JET METALS

ROOF & WALL SYSTEMS

Zoomed in View



Plywood Substrate



- Plywood Substrate (1/2" min)
- JM-2000 Panel
- #10-13x1" PHW (12" o.c.)
- Jet Metals Approved Tube Sealant  
(Field Applied between Panel Ribs)
- Butyl Tape Sealant
- Underlayment
- Offset Cleat Flashing
- Field Cut & Hem Panel 180°
- #10-13x1" PHW (5 per panel)
- Eave Flashing
- 1/8" -#43 Pop Rivet (6" o.c.)
- Cleat Flashing
- Wall Panel

## JET METALS, LLC

DRAWING NAME:

JM-2000 Eave  
w/ Flush Panel

REV:  
0

DRAWING NUMBER:

A

SHEET:  
1 of 1

DATE:

06/01/2015

DRAWN BY:

Off Balance Digital Art

PAINT: