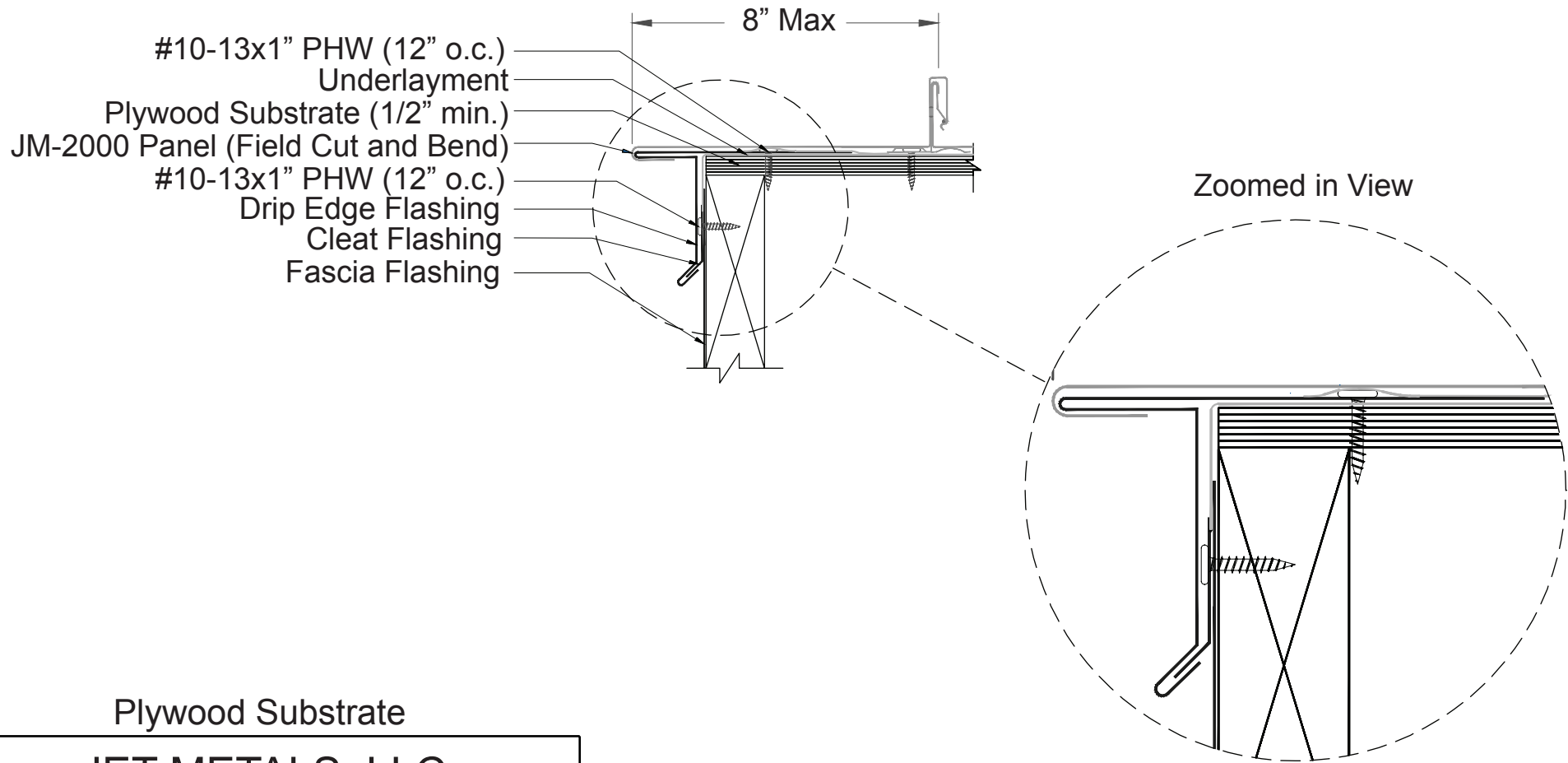




# JET METALS

ROOF & WALL SYSTEMS



Plywood Substrate

JET METALS, LLC

DRAWING NAME:

JM-2000 GABLE  
Alternate/Curved

REV:  
0

DRAWING NUMBER:

A

SHEET:  
1 of 1

DATE:  
06/01/2015

DRAWN BY:  
Off Balance Digital Art

PAINT: