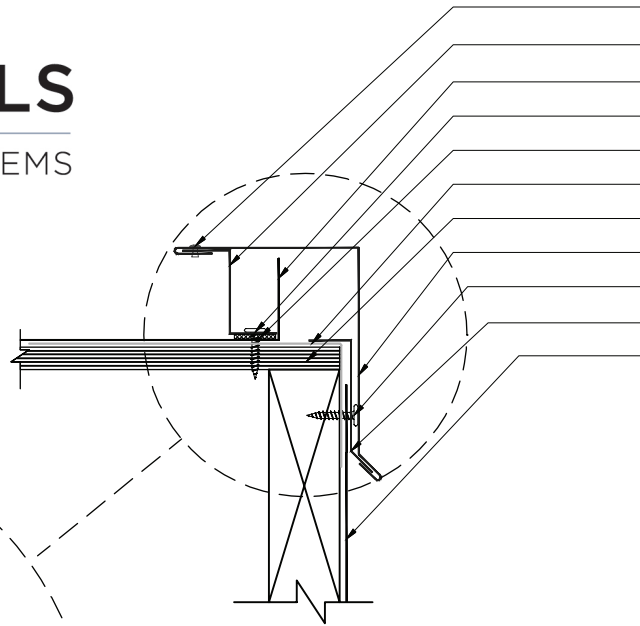




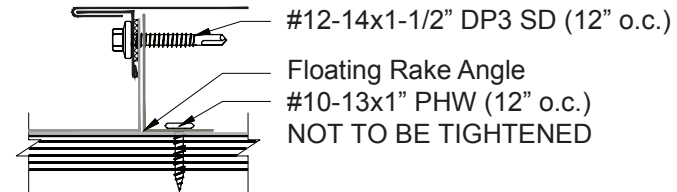
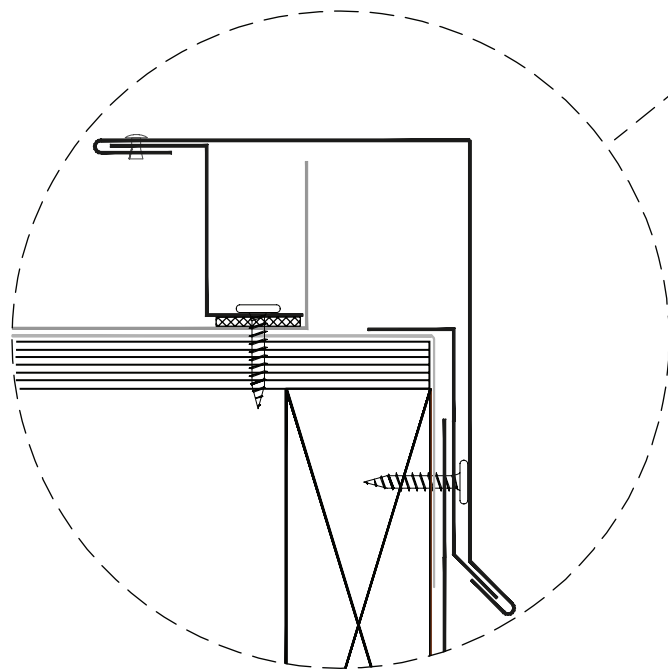
JET METALS

ROOF & WALL SYSTEMS

- 1/8" -#43 Pop Rivet (18" o.c.)
- Z-Closure Flashing
- JM-2000 Panel (Field Cut and Bend)
- #10-13x1" PHW (12" o.c.)
- Butyl Tape Sealant
- Underlayment
- Plywood Substrate (1/2" min.)
- Gable Flashing
- #10-13x1" PHW (12" o.c.)
- Gable Cleat Flashing
- Fascia Flashing

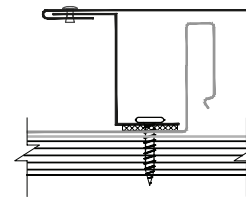


Zoomed in View



- #12-14x1-1/2" DP3 SD (12" o.c.)
- Floating Rake Angle
- #10-13x1" PHW (12" o.c.)
- NOT TO BE TIGHTENED

Floating Gable



On Module

Plywood Substrate

JET METALS, LLC

DRAWING NAME:

JM-2000 GABLE

REV: 0	DRAWING NUMBER:	A	SHEET: 1 of 1
DATE: 06/01/2015	DRAWN BY: Off Balance Digital Art	PAINT:	