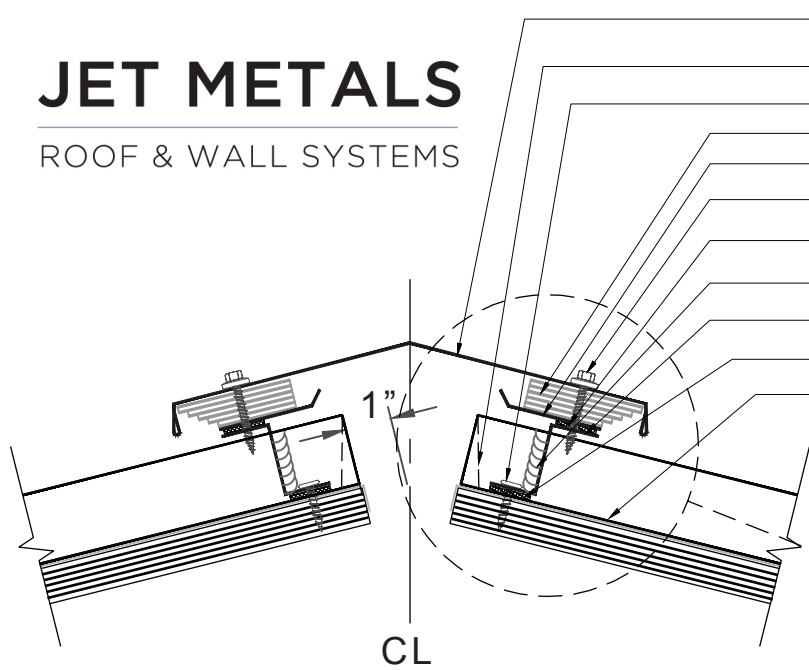




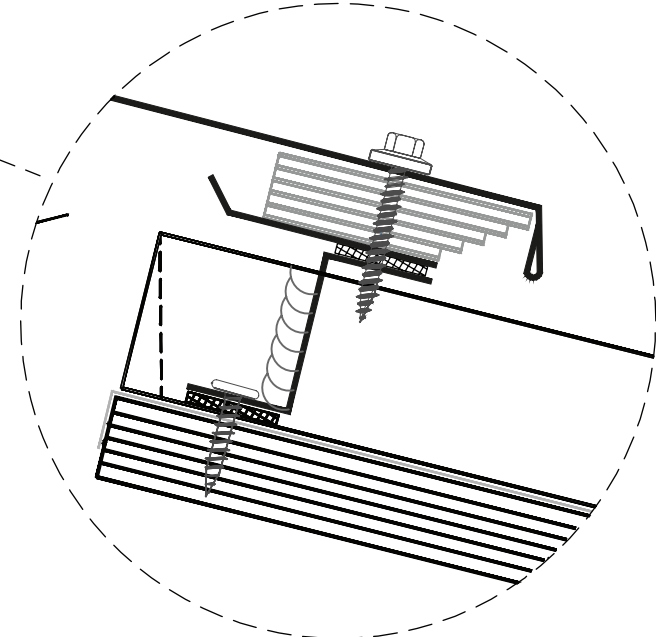
JET METALS

ROOF & WALL SYSTEMS

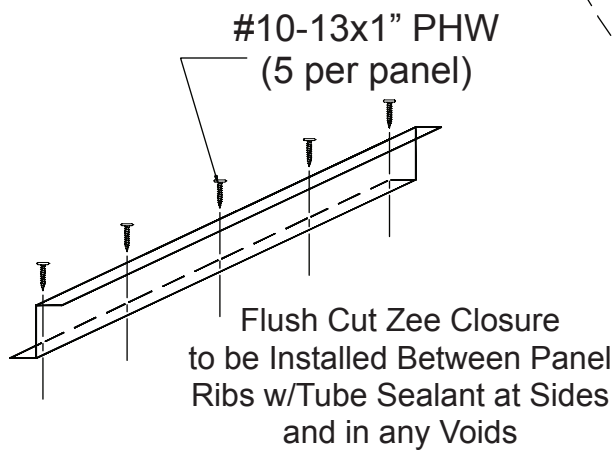


- Cor-A-Vented Ridge Flashing
- Box End Panel
- #10-13x1" PHW (5 per panel)
- Cor-A-Vent JM600
- Air Dam
- #10-12x1-1/2" GB SHC WS(12" o.c.)
- Butyl Tape Sealant
- Jet Metals Approved Tube Sealant
- Z-Closure Flashing
- Butyl Tape Sealant
- JM-2000 Panel

Note:
1) Net Free Area = 20 sq in/ft



Zoomed in View



Plywood Substrate

JET METALS, LLC

DRAWING NAME:
JM-2000 COR-A-VENTED RIDGE/HIP

REV: 0	DRAWING NUMBER:	A	SHEET: 1 of 1
DATE: 06/01/2015	DRAWN BY: Off Balance Digital Art	PAINT:	