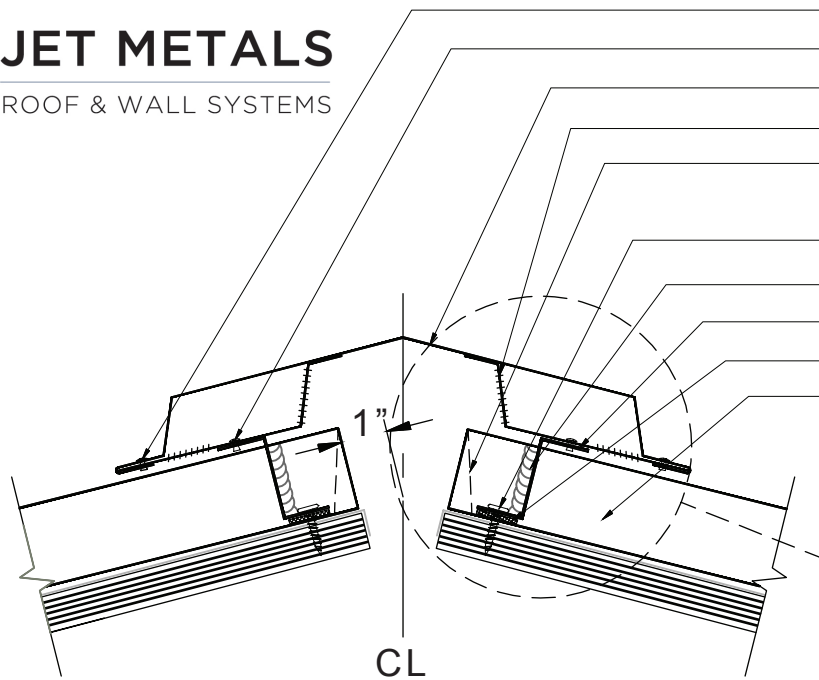




JET METALS

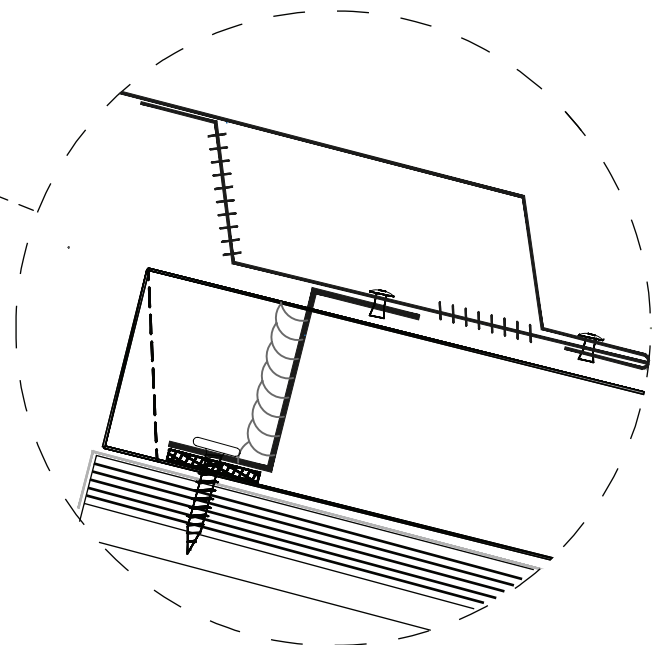
ROOF & WALL SYSTEMS



- 1/8"-#43 Pop Rivet (18" o.c.)
- 1/8"-#43 Pop Rivet (3 per panel)
- Vented Ridge/Hip Flashing
- Perforated Z-Support Flashing
- Box End of Panel
(see Zee Closure Options Detail)
- #10-13x1" PHW (5 per panel)
- Jet Metals Approved Tube Sealant
- Z-Closure Flashing
- Butyl Tape Sealant
- JM-2000 Panel

Note:

1) Net Free Area = 6.16 sq in/ft



Zoomed in View

Plywood Substrate

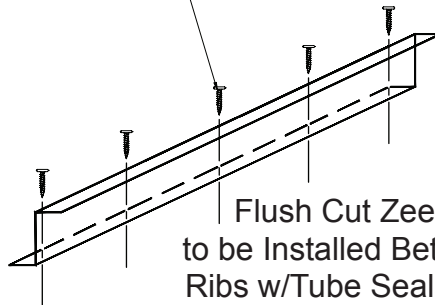
JET METALS, LLC

DRAWING NAME:

JM-2000 VENTED RIDGE/HIP

REV: 0	DRAWING NUMBER:	A	SHEET: 1 of 1
DATE: 06/01/2015	DRAWN BY: Off Balance Digital Art	PAINT:	

#10-13x1" PHW
(5 per panel)



Flush Cut Zee Closure
to be Installed Between Panel
Ribs w/Tube Sealant at Sides
and in any Voids