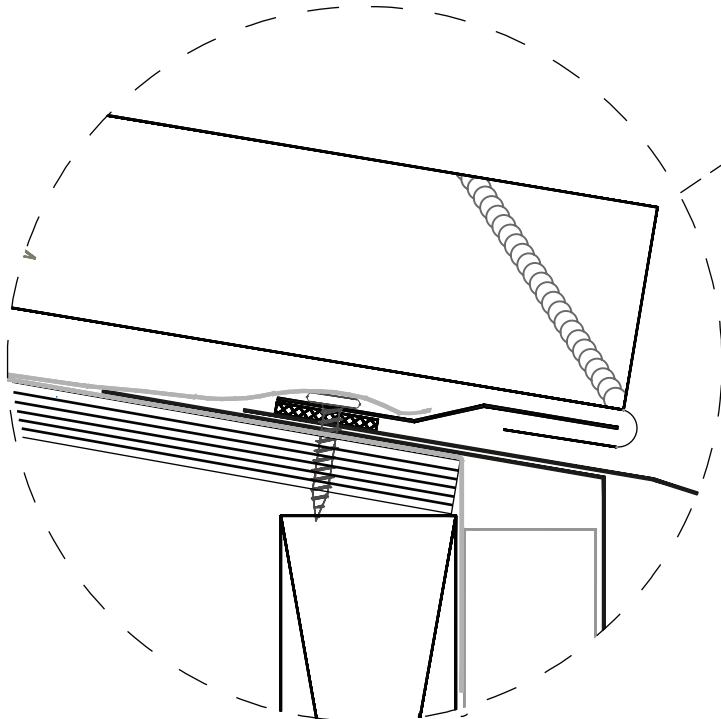




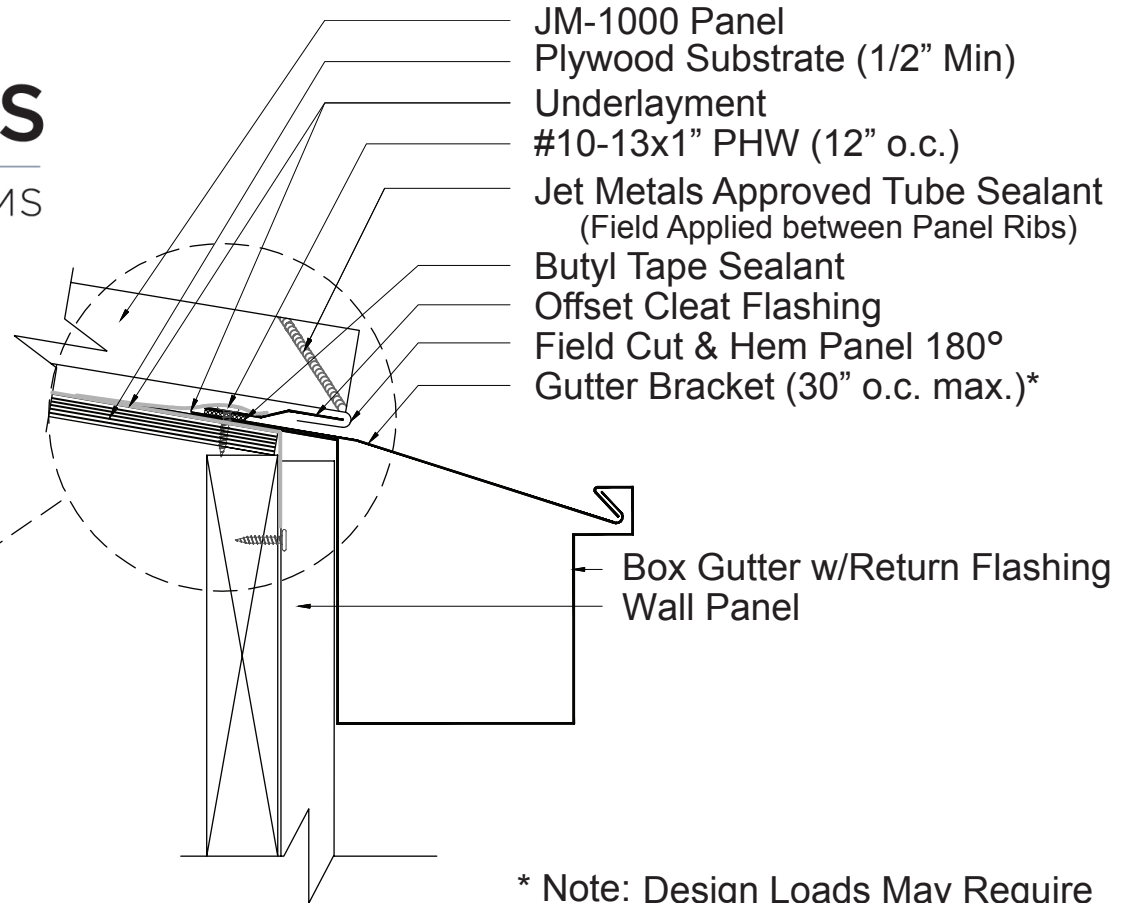
JET METALS

ROOF & WALL SYSTEMS

Zoomed in View



Plywood Substrate



* Note: Design Loads May Require Closer Spacing

JET METALS, LLC

DRAWING NAME:

**JM-1000 BOX GUTTER
w/Return - w/Flush Panel**

REV:
0

DRAWING NUMBER:

A

SHEET:
1 of 1

DATE:
06/01/2015

DRAWN BY:
Off Balance Digital Art

PAINT: