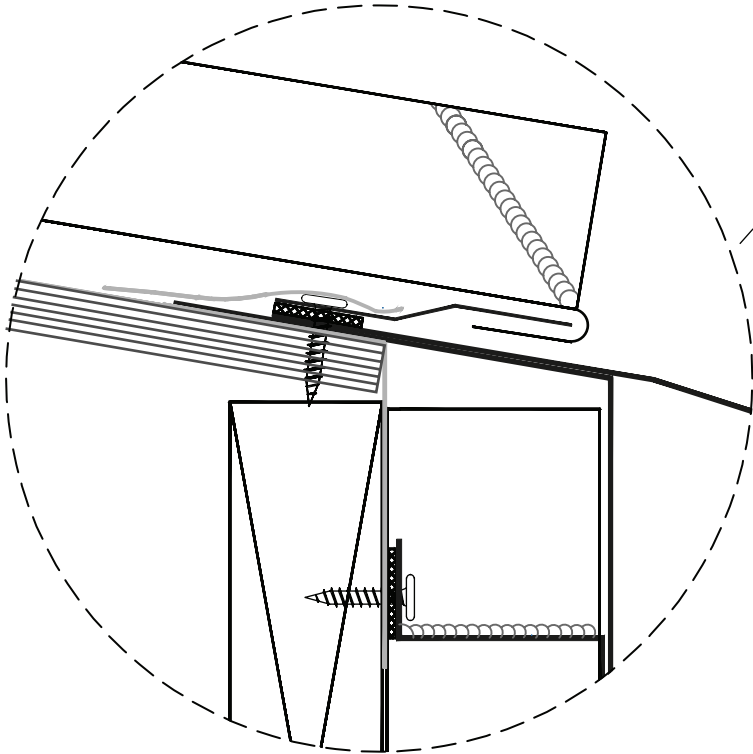




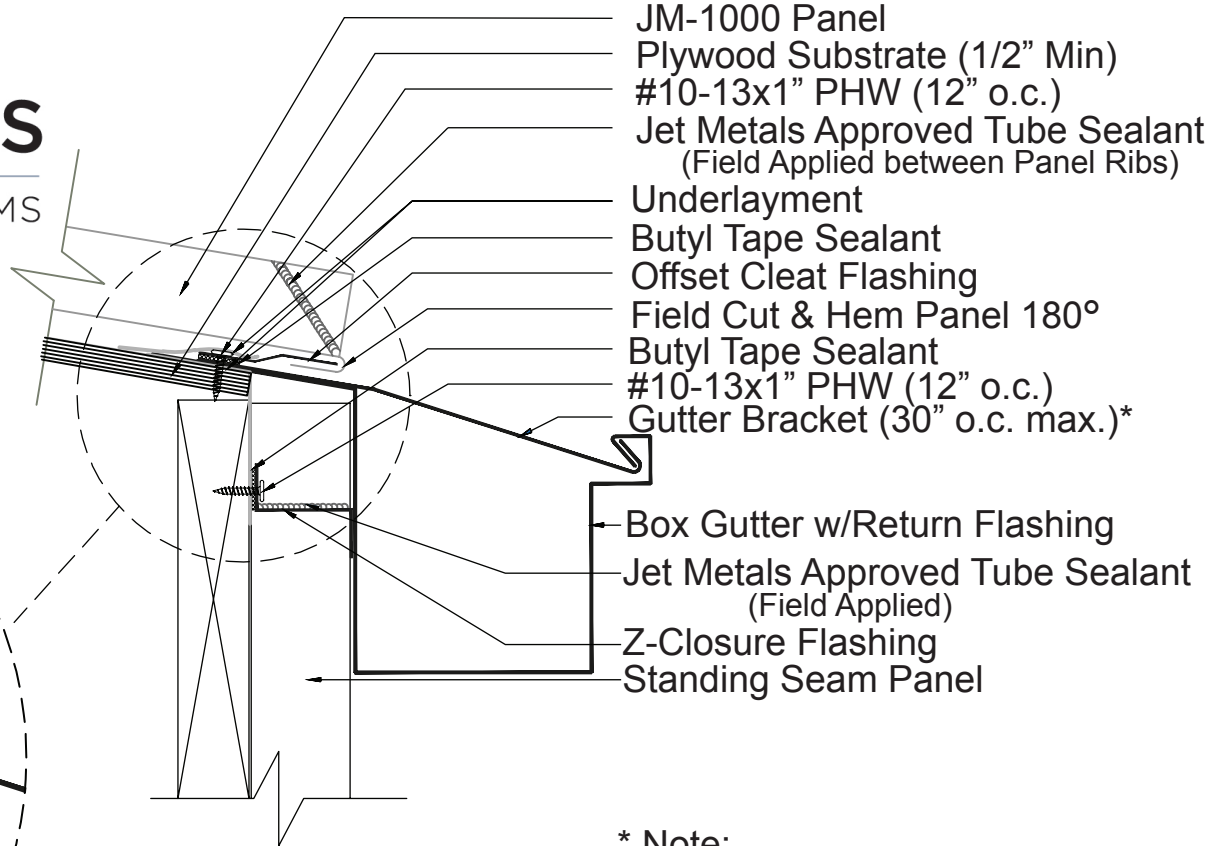
JET METALS

ROOF & WALL SYSTEMS

Zoomed in View



Plywood Substrate



- JM-1000 Panel
- Plywood Substrate (1/2" Min)
- #10-13x1" PHW (12" o.c.)
- Jet Metals Approved Tube Sealant (Field Applied between Panel Ribs)
- Underlayment
- Butyl Tape Sealant
- Offset Cleat Flashing
- Field Cut & Hem Panel 180°
- Butyl Tape Sealant
- #10-13x1" PHW (12" o.c.)
- Gutter Bracket (30" o.c. max.)*
- Box Gutter w/Return Flashing
- Jet Metals Approved Tube Sealant (Field Applied)
- Z-Closure Flashing
- Standing Seam Panel

* Note:
Design Loads May Require
Closer Spacing

JET METALS, LLC

DRAWING NAME:

**JM-1000 BOX GUTTER
w/Return - w/Standing Seam Panel**

REV:
0

DRAWING NUMBER:

A

SHEET:
1 of 1

DATE:
06/01/2015

DRAWN BY:
Off Balance Digital Art

PAINT: