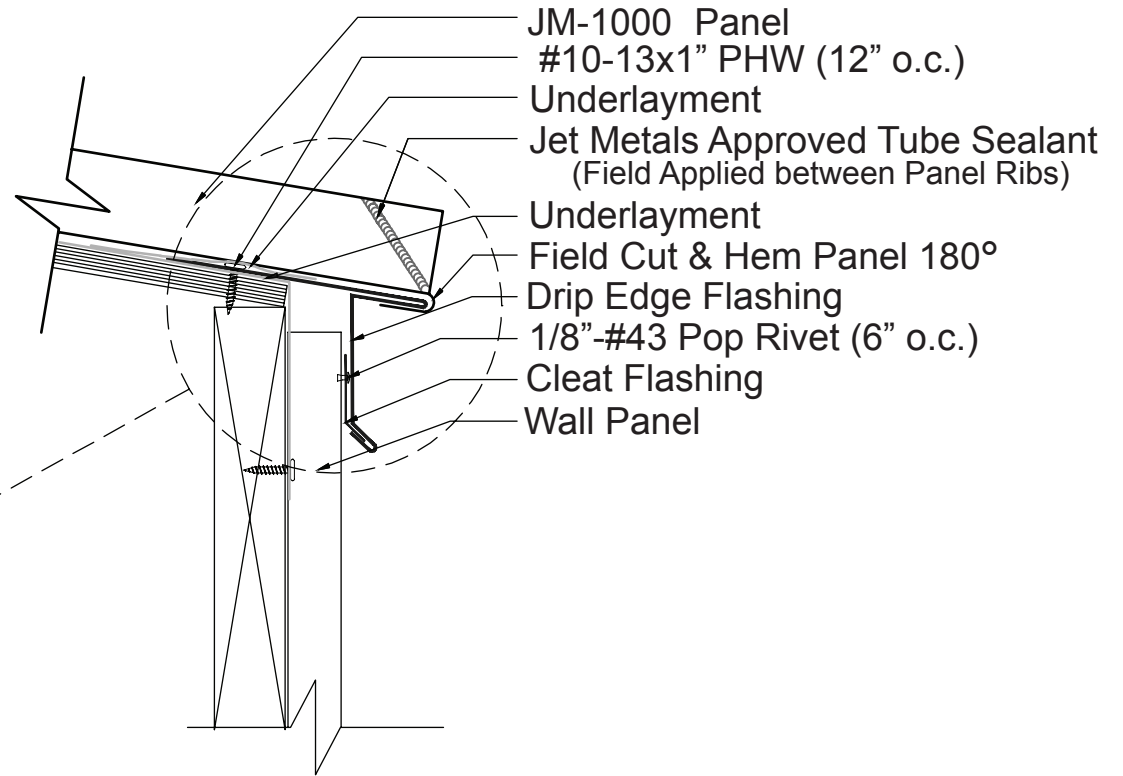
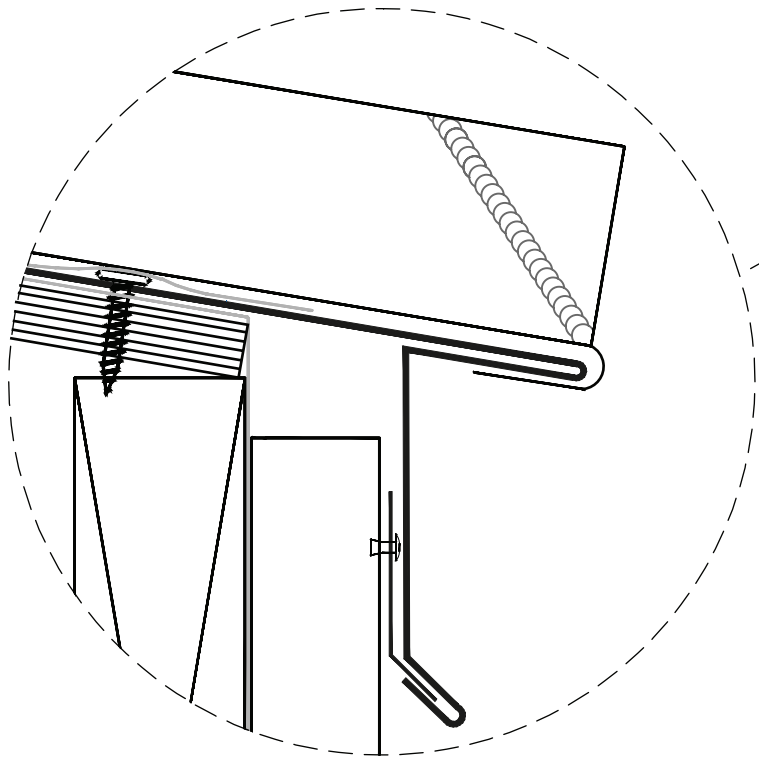




# JET METALS

ROOF & WALL SYSTEMS

Zoomed in View



Plywood Substrate

JET METALS, LLC

DRAWING NAME:

JM-1000 Drip Edge  
w/Flush Panel

REV:  
0

DRAWING NUMBER:

A

SHEET:  
1 of 1

DATE:

06/01/2015

DRAWN BY:

Off Balance Digital Art

PAINT: