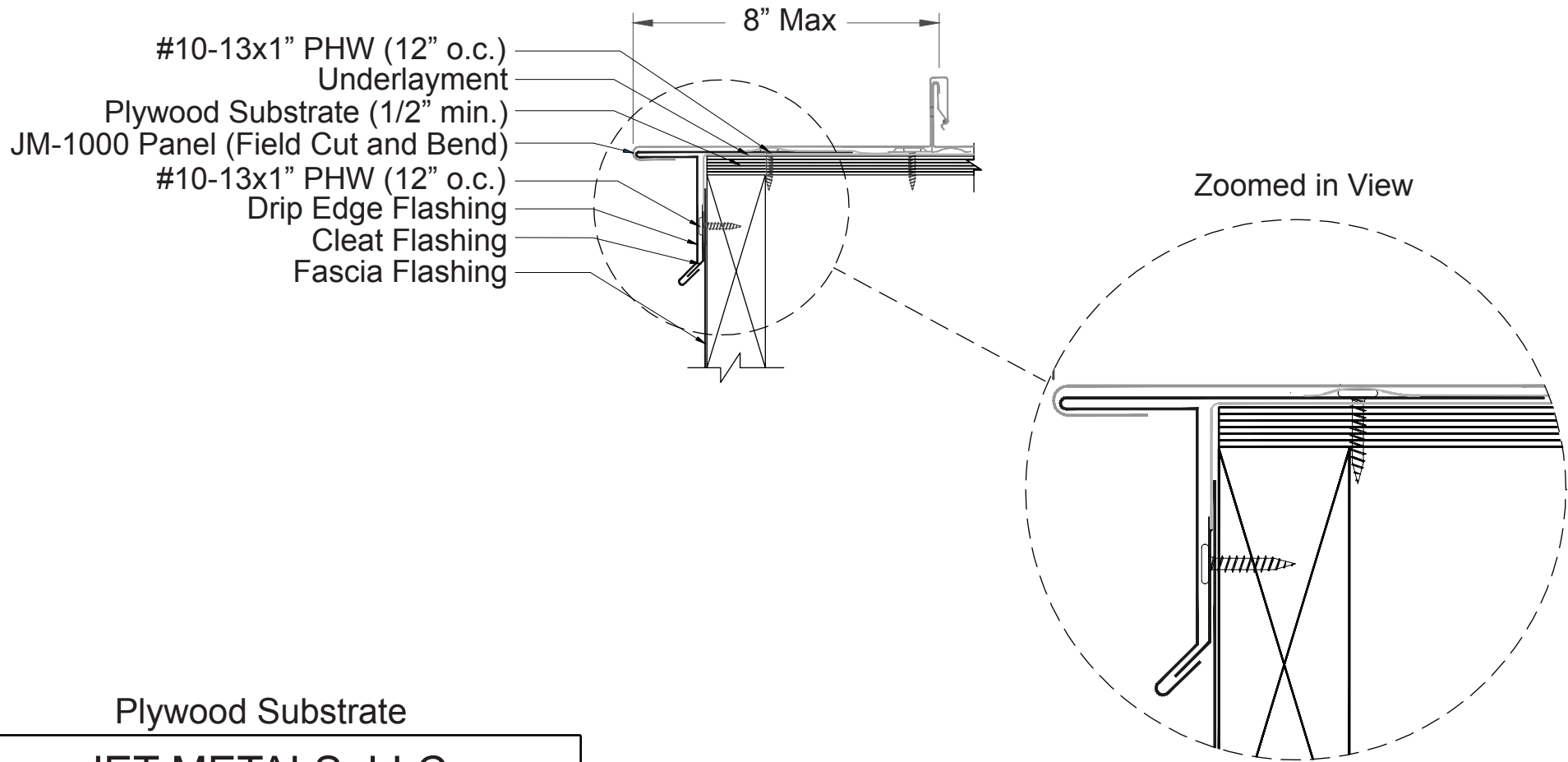




# JET METALS

ROOF & WALL SYSTEMS



JET METALS, LLC

DRAWING NAME:  
JM-1000 GABLE  
Alternate/Curved

REV: 0	DRAWING NUMBER:	A	SHEET: 1 of 1
DATE: 06/01/2015	DRAWN BY: Off Balance Digital Art	PAINT:	