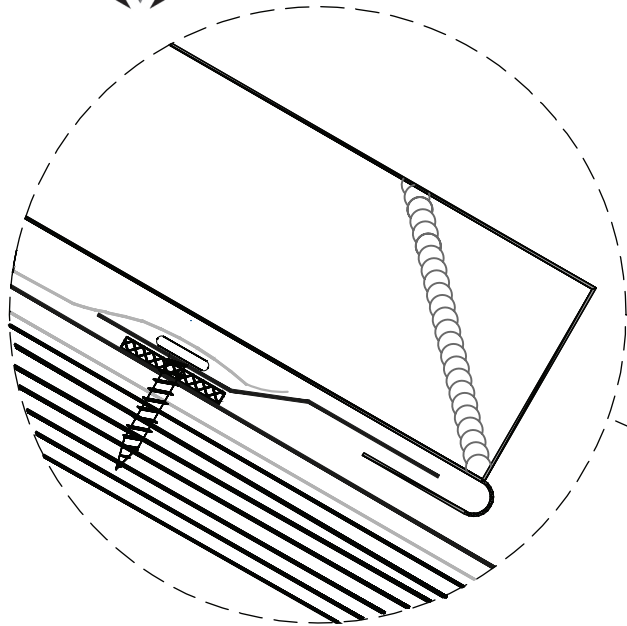


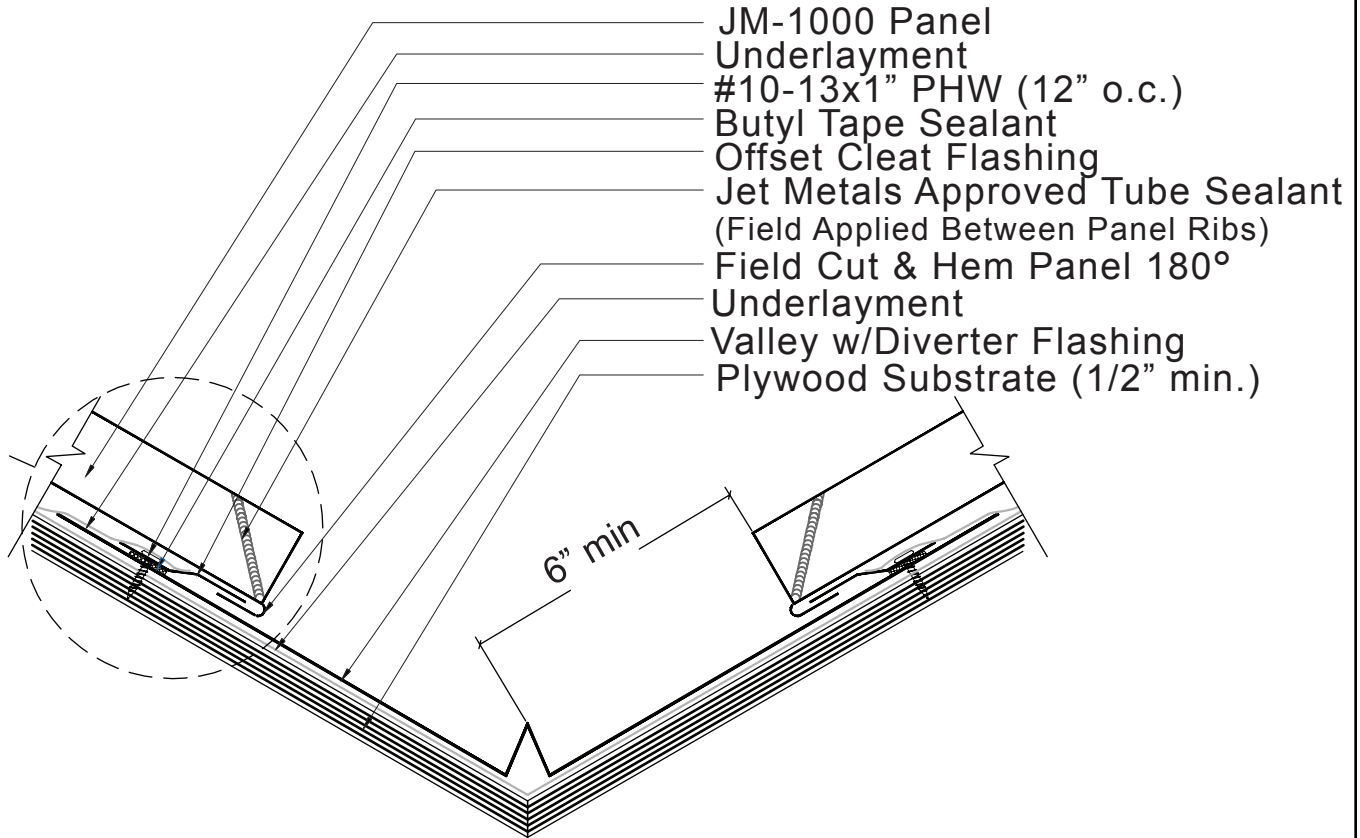


JET METALS

ROOF & WALL SYSTEMS



Zoomed in View



- JM-1000 Panel
- Underlayment
- #10-13x1" PHW (12" o.c.)
- Butyl Tape Sealant
- Offset Cleat Flashing
- Jet Metals Approved Tube Sealant (Field Applied Between Panel Ribs)
- Field Cut & Hem Panel 180°
- Underlayment
- Valley w/Diverter Flashing
- Plywood Substrate (1/2" min.)

6" min

Plywood Substrate

JET METALS, LLC

DRAWING NAME:
**JM-1000 VALLEY w/
Diverter**

REV: 0	DRAWING NUMBER:	A	SHEET: 1 of 1
DATE: 06/01/2015	DRAWN BY: Off Balance Digital Art	PAINT:	

NOTE:

- 1.) Laps in Valley are 12" min.
Jet Metals approved tube sealant in all Laps in Valley
Two rows of sealant between Valley Laps, 4" up from Lap.

NOTE:

- 2.) Large roof areas mat require a larger gap between panel and diverter to allow for storm water run off.