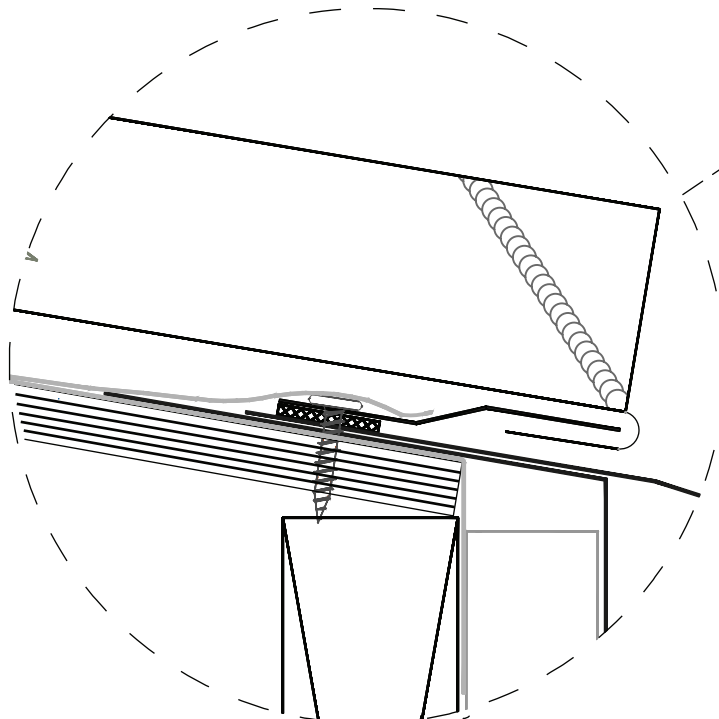


Zoomed in View



Plywood Substrate

- JM-1500 Panel
- Plywood Substrate (1/2" Min)
- Underlayment
- #10-13x1" PHW (12" o.c.)
- Jet Metals Approved Tube Sealant (Field Applied between Panel Ribs)
- Butyl Tape Sealant
- Offset Cleat Flashing
- Field Cut & Hem Panel 180°
- Gutter Bracket (30" o.c. max.)*

Box Gutter w/Return Flashing
Wall Panel

* Note: Design Loads May Require Closer Spacing

JET METALS, LLC

DRAWING NAME:
**JM-1500 BOX GUTTER
w/Return - w/Flush Panel**

REV: 0	DRAWING NUMBER:	A	SHEET: 1 of 1
DATE: 06/01/2015	DRAWN BY: Off Balance Digital Art	PAINT:	



JET METALS
ROOF & WALL SYSTEMS