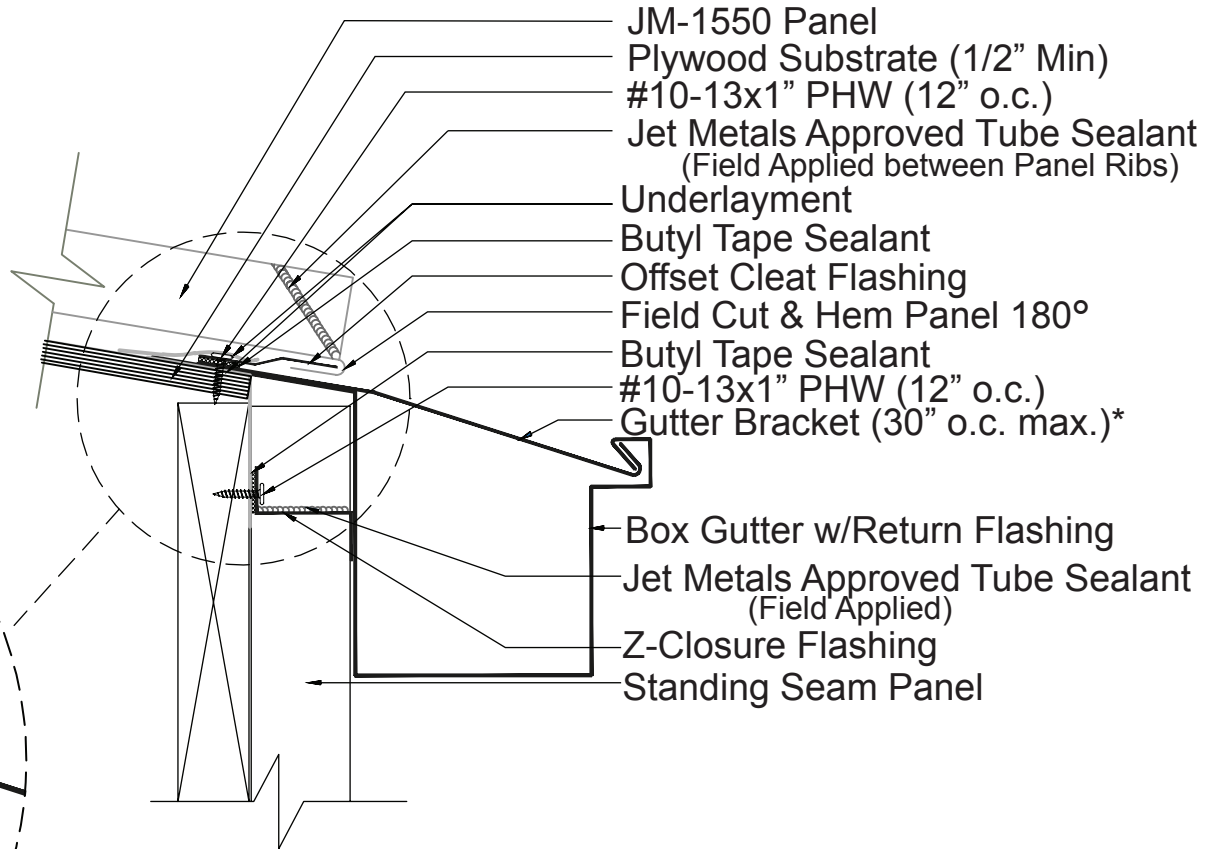


Plywood Substrate



* Note: Design Loads May Require Closer Spacing

JET METALS, LLC

DRAWING NAME:
**JM-1550 BOX GUTTER
 w/Return - w/Standing Seam Panel**

REV: 0	DRAWING NUMBER:	A	SHEET: 1 of 1
DATE: 06/01/2015	DRAWN BY: Off Balance Digital Art	PAINT:	



JET METALS
 ROOF & WALL SYSTEMS