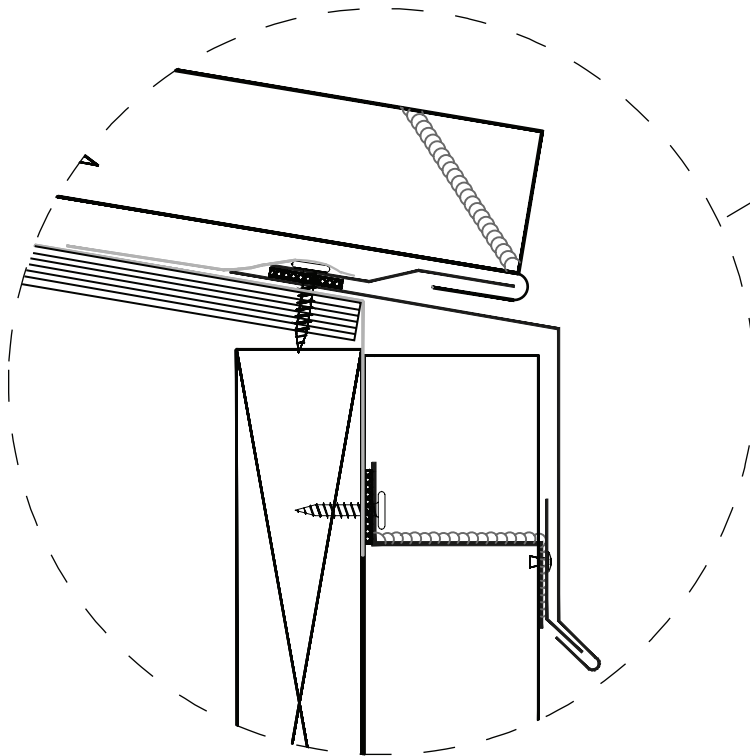




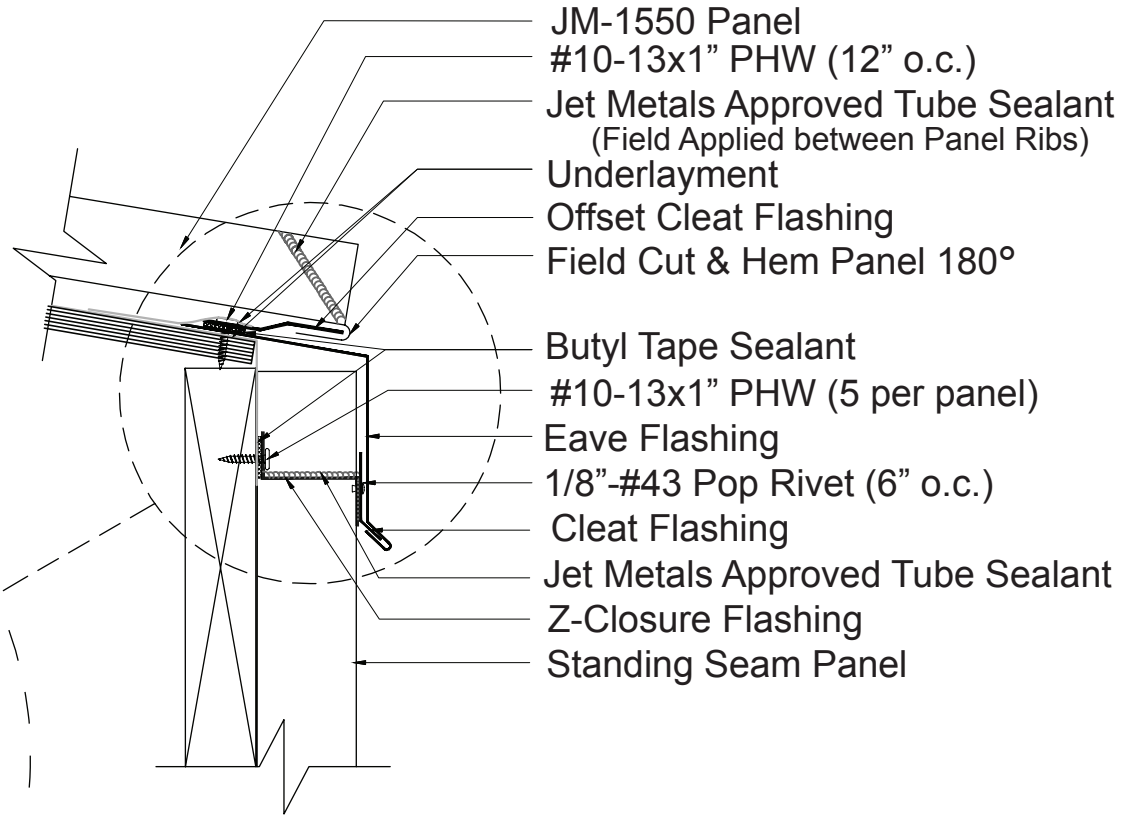
JET METALS

ROOF & WALL SYSTEMS

Zoomed in View



Plywood Substrate



- JM-1550 Panel
- #10-13x1" PHW (12" o.c.)
- Jet Metals Approved Tube Sealant
(Field Applied between Panel Ribs)
- Underlayment
- Offset Cleat Flashing
- Field Cut & Hem Panel 180°
- Butyl Tape Sealant
- #10-13x1" PHW (5 per panel)
- Eave Flashing
- 1/8"-#43 Pop Rivet (6" o.c.)
- Cleat Flashing
- Jet Metals Approved Tube Sealant
- Z-Closure Flashing
- Standing Seam Panel

JET METALS, LLC

DRAWING NAME:

**JM-1550 Eave
w/Standing Seam Panel**

REV:
0

DRAWING NUMBER:

A

SHEET:
1 of 1

DATE:
06/01/2015

DRAWN BY:
Off Balance Digital Art

PAINT: