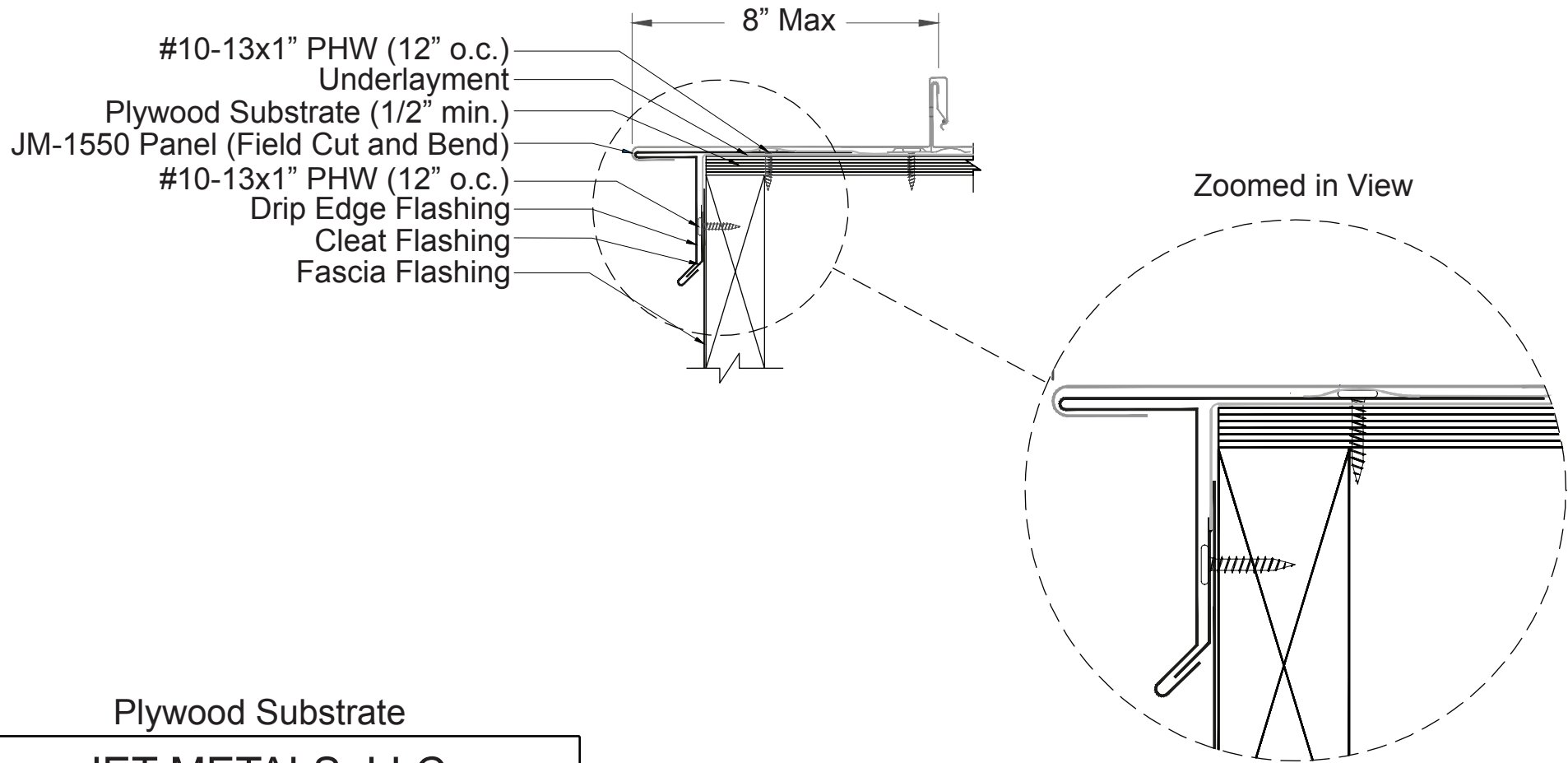




JET METALS

ROOF & WALL SYSTEMS



Plywood Substrate

JET METALS, LLC

DRAWING NAME:

JM-1550 GABLE
Alternate/Curved

REV:
0

DRAWING NUMBER:

A

SHEET:
1 of 1

DATE:
06/01/2015

DRAWN BY:
Off Balance Digital Art

PAINT: