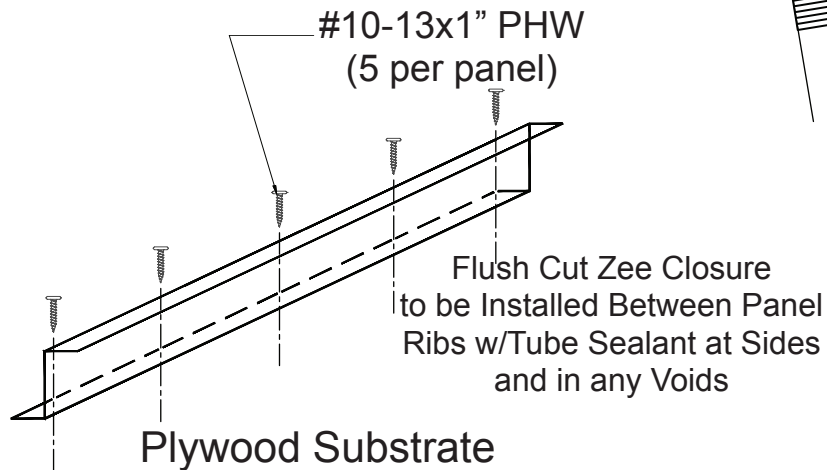
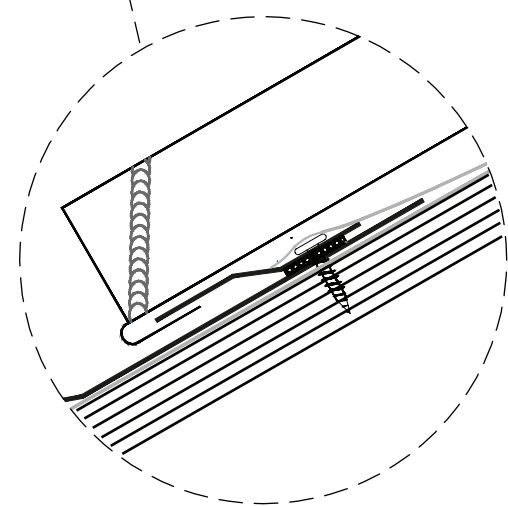
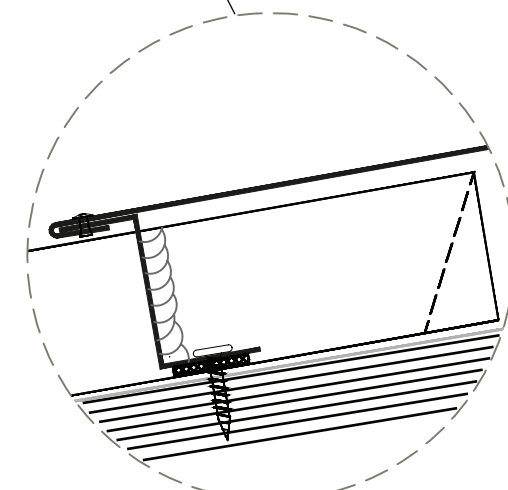
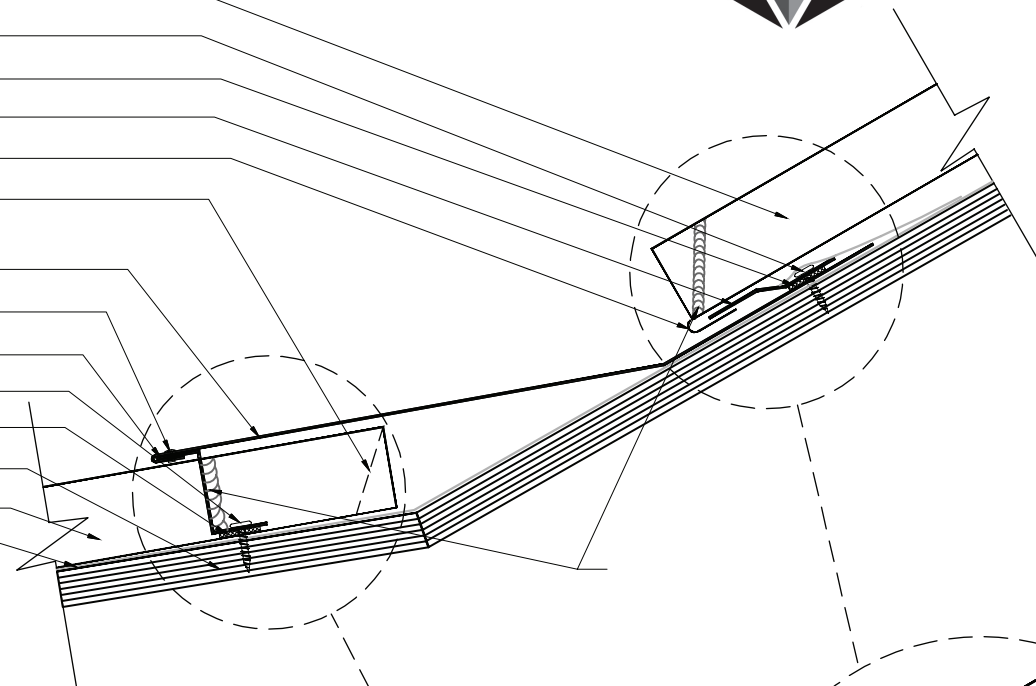




- JM-1550 Panel
- #10-13x1" PHW (12" o.c.)
- Butyl Tape Sealant
- Offset Cleat Flashing
- Field Cut & Hem Panel 180°
- Box End of Panel
(see Zee Closure Options Detail)
- Transition Flashing
- 1/8"-#43 Pop Rivet (18" o.c.)
- Z-Closure
- #10-13x1" PHW (5 per panel)
- Butyl Tape Sealant
- Plywood Substrate (1/2" min.)
- JM-1550 Panel
- Underlayment



JET METALS, LLC

DRAWING NAME:

JM-1550 TRANSITION

REV: 0	DRAWING NUMBER:	A	SHEET: 1 of 1
DATE: 06/01/2015	DRAWN BY: Off Balance Digital Art	PAINT:	