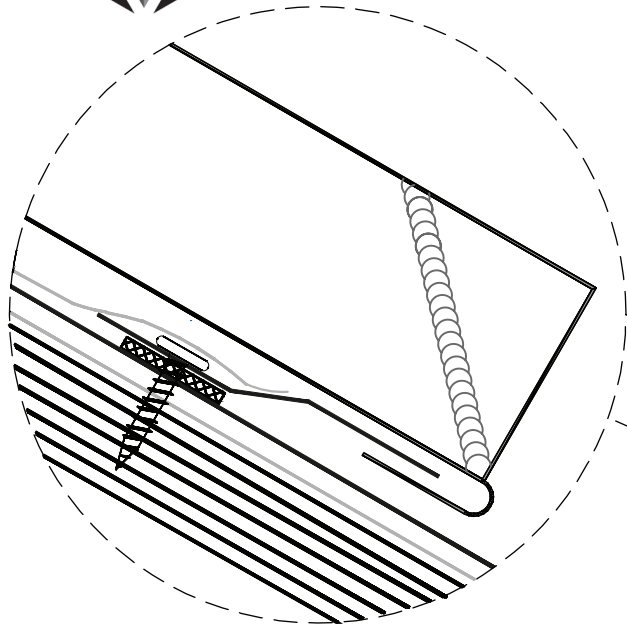


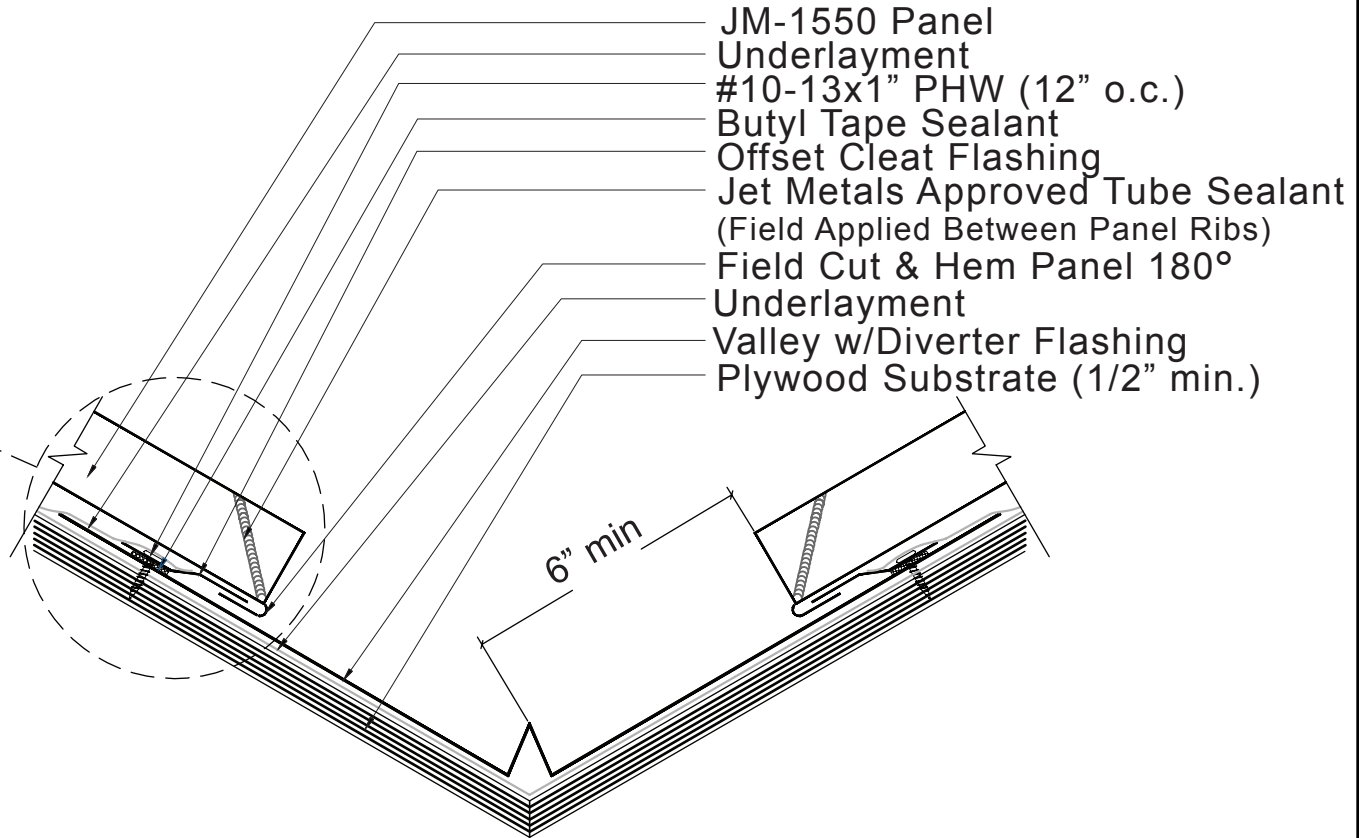


# JET METALS

ROOF & WALL SYSTEMS



Zoomed in View



- JM-1550 Panel
- Underlayment
- #10-13x1" PHW (12" o.c.)
- Butyl Tape Sealant
- Offset Cleat Flashing
- Jet Metals Approved Tube Sealant (Field Applied Between Panel Ribs)
- Field Cut & Hem Panel 180°
- Underlayment
- Valley w/Diverter Flashing
- Plywood Substrate (1/2" min.)

6" min

Plywood Substrate

**JET METALS, LLC**

DRAWING NAME:

**JM-1550 VALLEY w/  
Diverter**

REV: 0	DRAWING NUMBER:	<b>A</b>	SHEET: 1 of 1
DATE: 06/01/2015	DRAWN BY: Off Balance Digital Art	PAINT:	

**NOTE:**

- 1.) Laps in Valley are 12" min.  
Jet Metals approved tube sealant in all Laps in Valley  
Two rows of sealant between Valley Laps, 4" up from Lap.

**NOTE:**

- 2.) Large roof areas may require a larger gap between panel and diverter to allow for storm water run off.