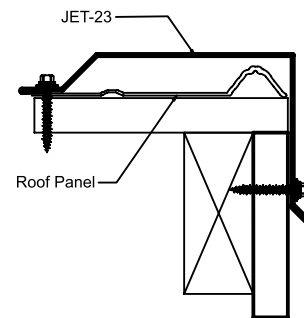
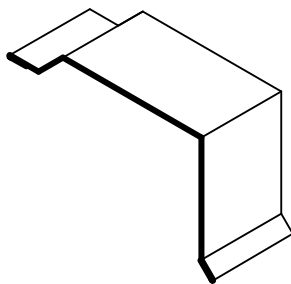
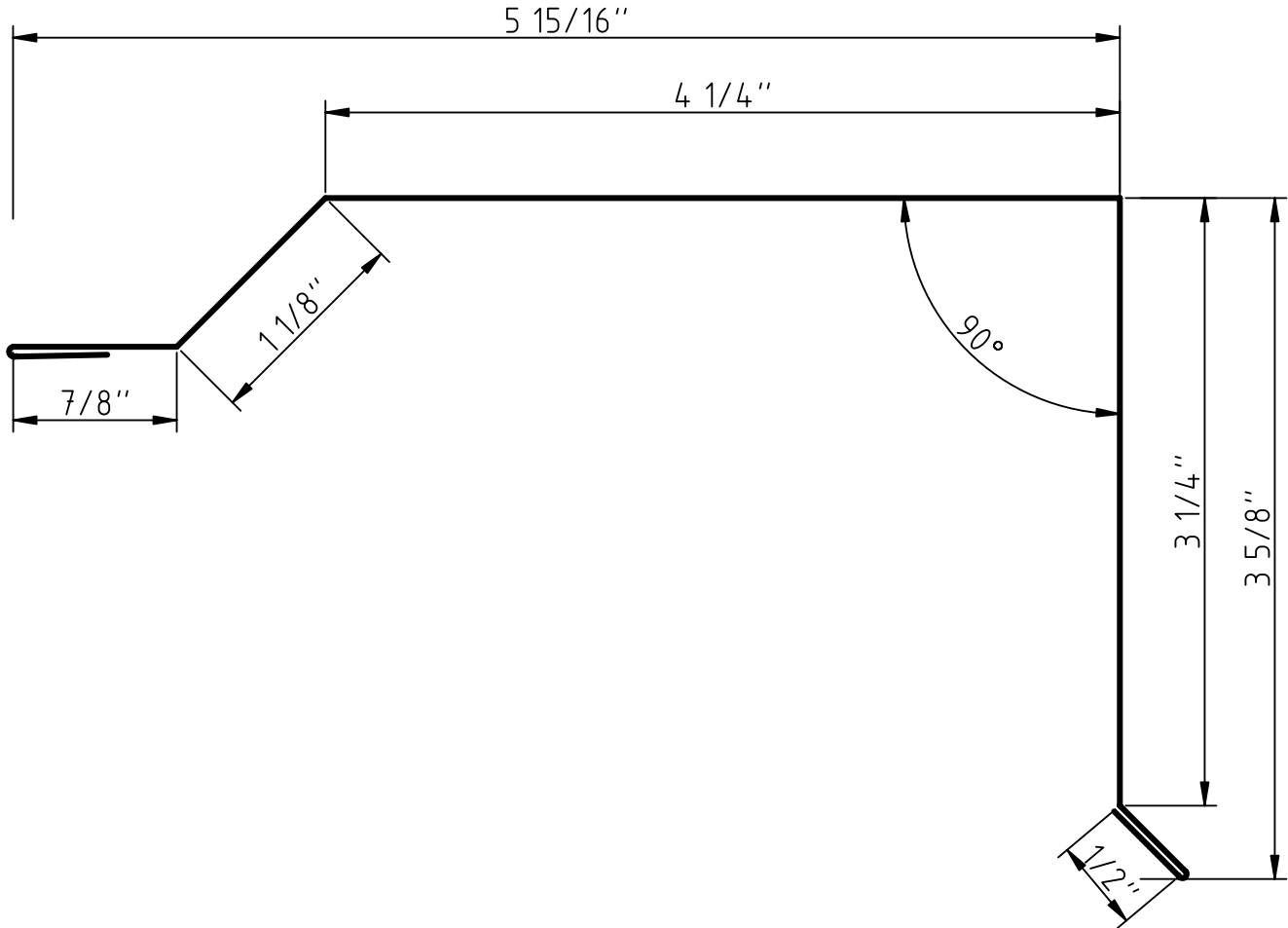


JET-23

Tuff-Rib Gable



JET METALS
ROOF & WALL SYSTEMS

JET-23 Tuff-Rib Gable

09/09/2020 JDB

Tolerances:

Fractional: $\pm \frac{1}{16}$ "
Twist/Ski: $\frac{1}{8}$ " in 3'0"
Straightness/Camber: $\frac{1}{4}$ " in 10'0"