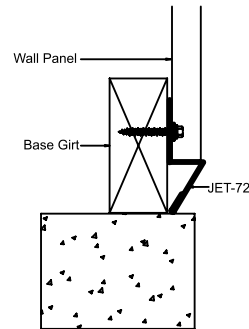
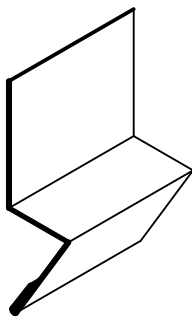
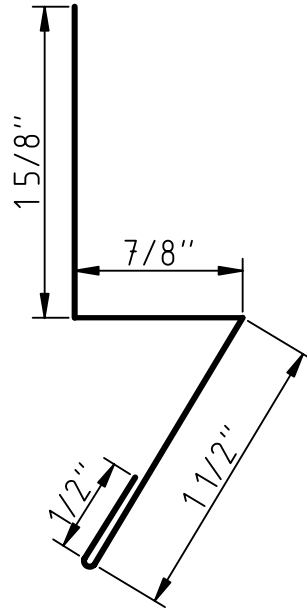


JET-72

Tuff-Rib Base Guard



JET METALS
ROOF & WALL SYSTEMS

JET-72 Tuff-Rib Base Gaurd

09/09/2020 JDB

Tolerances:

Fractional: +/- 1/16"
Twist/Ski: 1/8" in 3'0"
Straightness/Camber: 1/4" in 10'0"