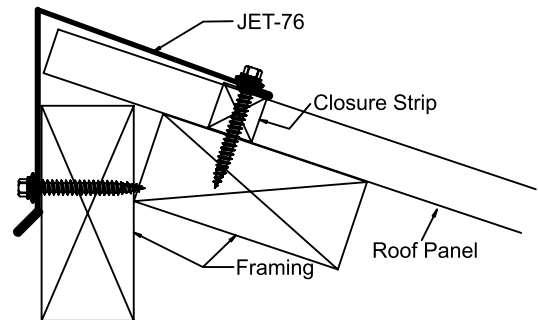
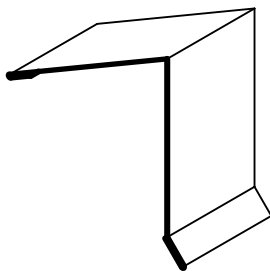
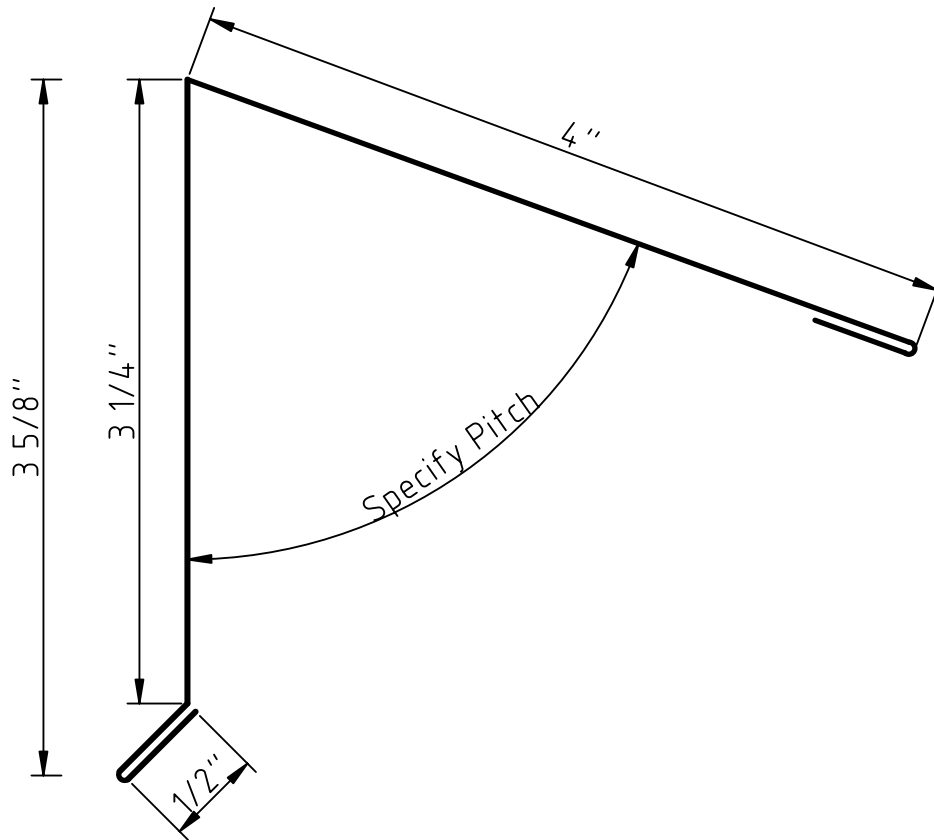


JET-76

Tuff-Rib High Side Eave



JET METALS

ROOF & WALL SYSTEMS

JET-76 Tuff-Rib High Side Eave

09/09/2020 JDB

Tolerances:

Fractional: $\pm 1/16"$
Twist/Ski: $1/8"$ in $3'0"$
Straightness/Camber: $1/4"$ in $10'0"$