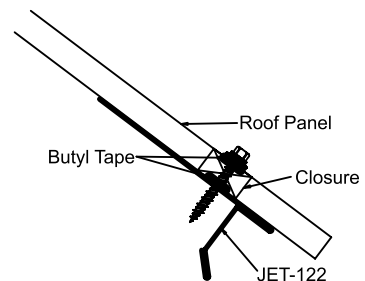
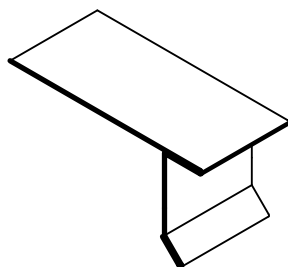
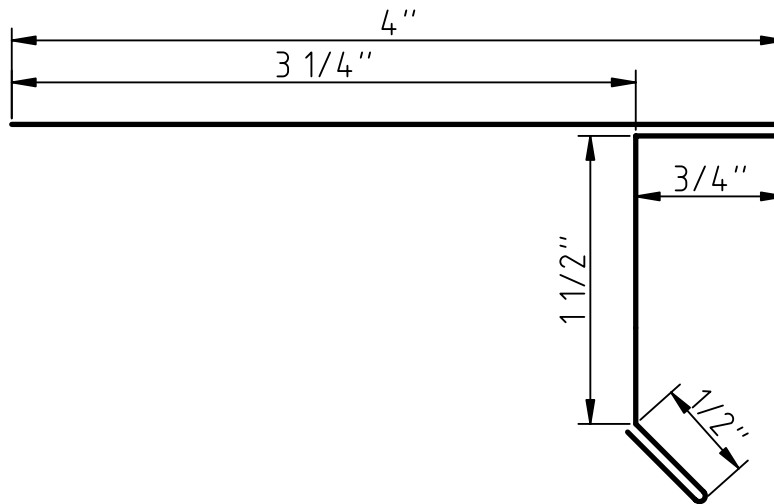


JET-122

5V Extended Eave/Drip Edge



JET METALS

ROOF & WALL SYSTEMS

JET-122 5V Extended Eave/Drip Edge

09/29/2020 JDB

Tolerances:

Fractional: +/- 1/16"
Twist/Ski: 1/8" in 3'0"
Straightness/Camber: 1/4" in 10'0"